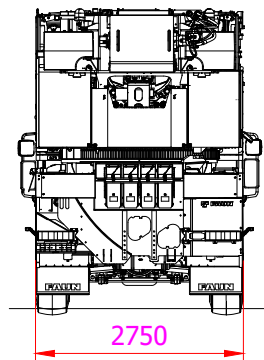
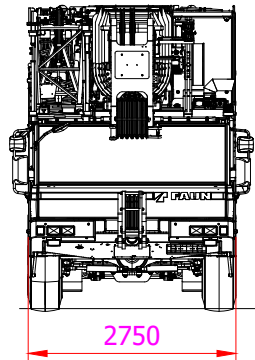
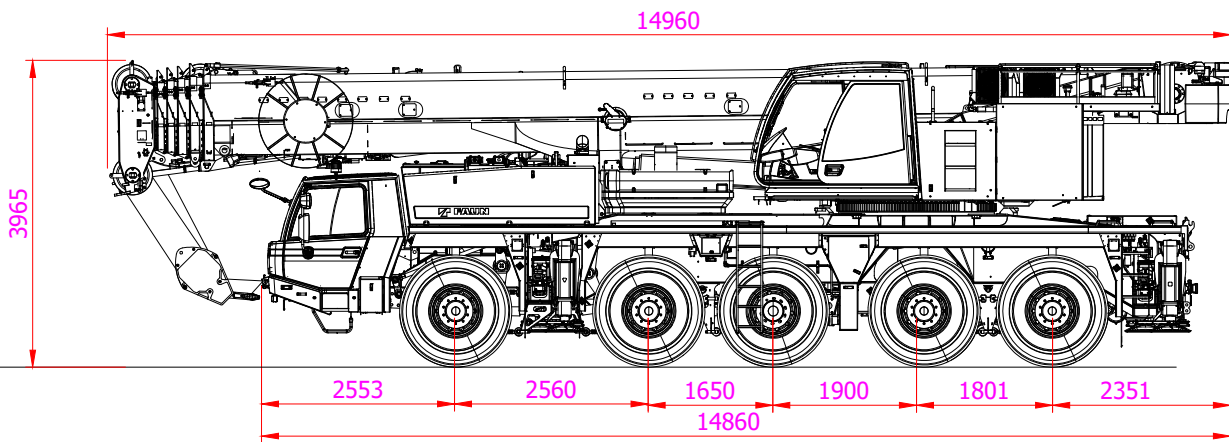


Merk:	TADANO
Type:	ATF130G-5



Voertuigeigenschappen			
Totaal gewicht (kg)	Asconfiguratie	Hondengang mogelijk	Doorrijhoogte (cm)
60000	10x6x10	Ja	396.5

Hijsblokken		
Capaciteit (t)	Gewicht (kg)	Omschrijving
8,7	300	Hijsbal
17,1	375	1-schijf
59	600	3-schijf



KONINKLIJKE
SAAN

0900 - 660 60 60
www.saan.nl
info@saan.nl

Versiedatum: 9-12-2021

Servicecode:

K130AK

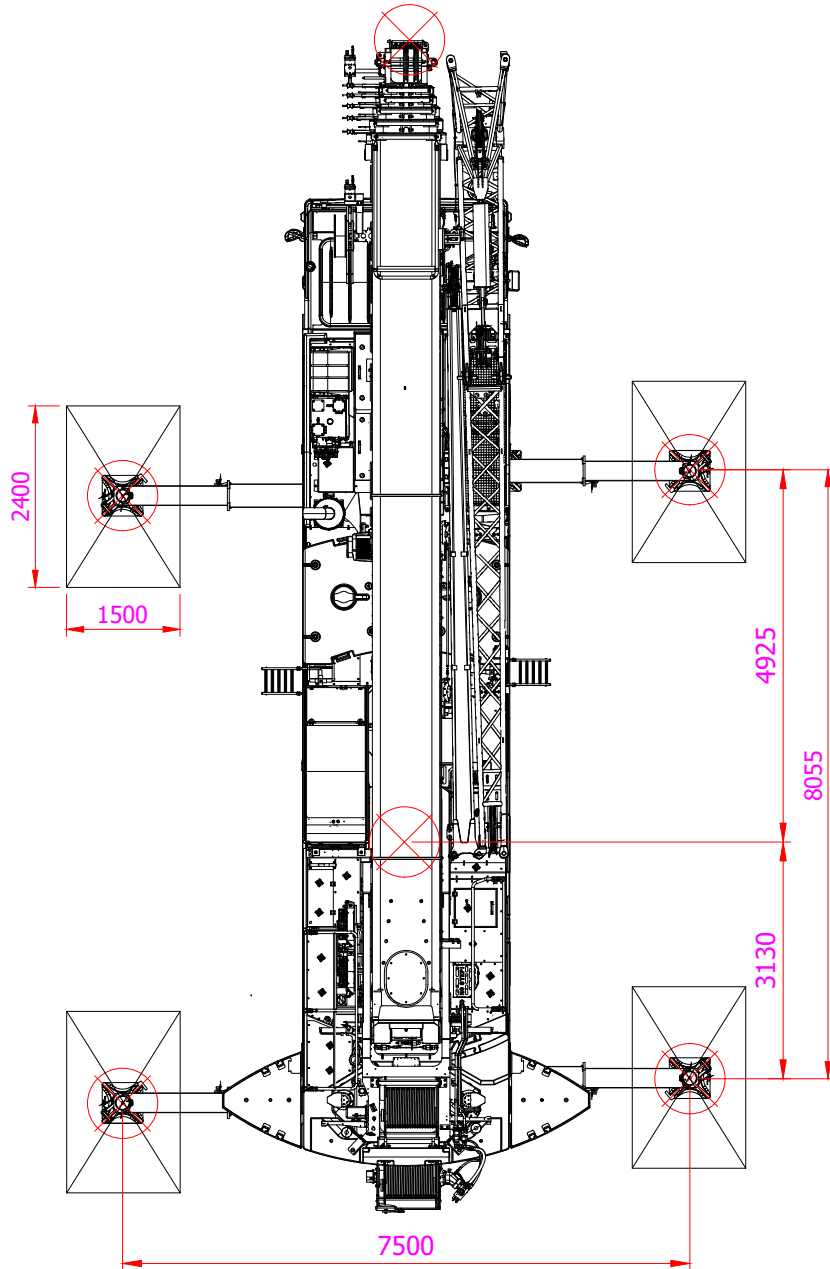
This publication remains the property of the publisher and shall be treated as confidential, unless contractually specified otherwise. No parts of it may be reproduced, stored in a retrieval system or transmitted in any form or by any means, without the prior written permissions of the publisher. Typing errors reserved. No rights may be derived from these drawings and tables.

Pagina:

1 / 9

Copyright Koninklijke Saan B.V. 2009

Merk:	TADANO
Type:	ATF130G-5



KONINKLIJKE
SAAN

0900 - 660 60 60
www.saan.nl
info@saan.nl

Versiedatum: 9-12-2021

Servicecode:

K130AK

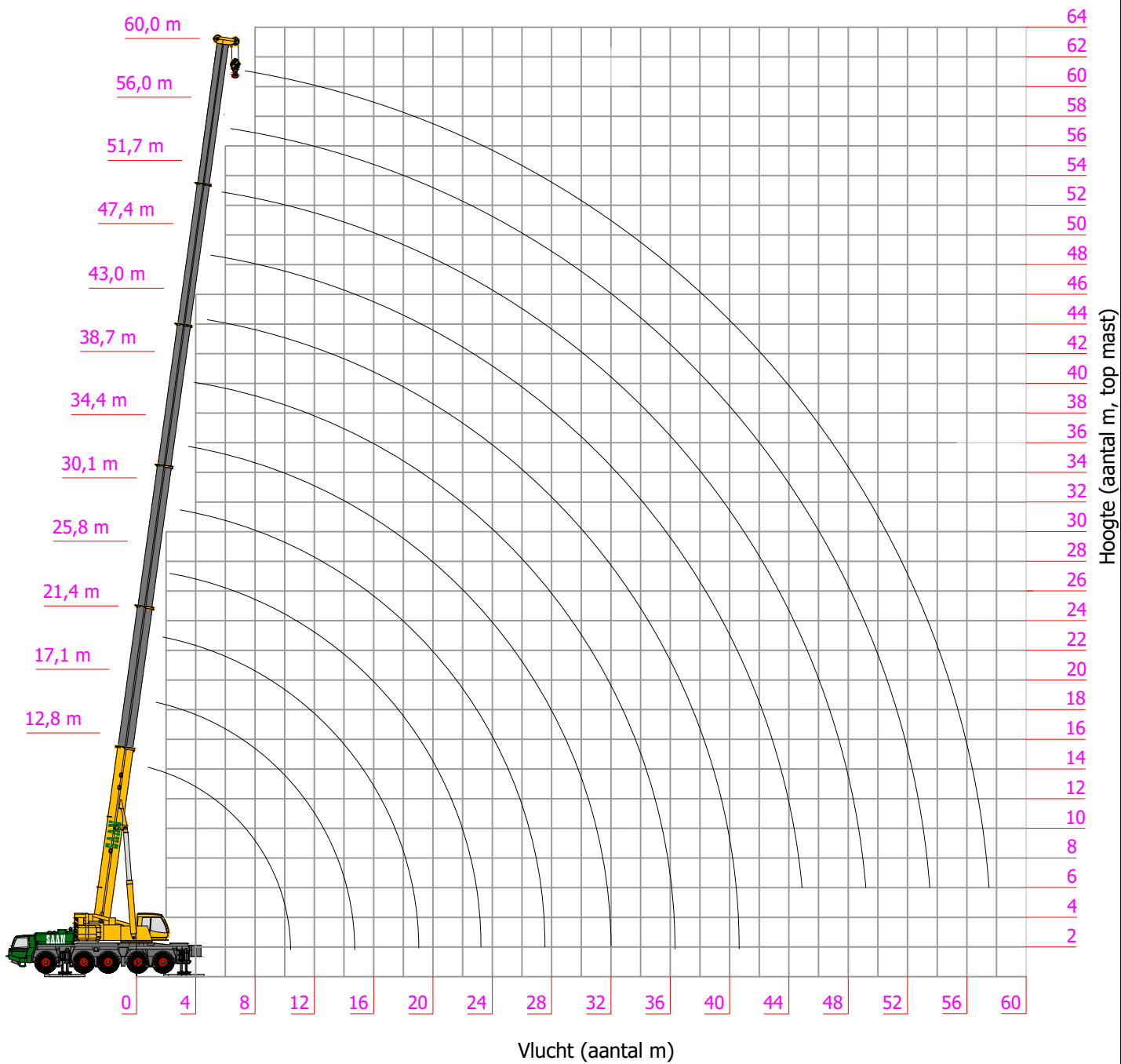
This publication remains the property of the publisher and shall be treated as confidential, unless contractually specified otherwise. No parts of it may be reproduced, stored in a retrieval system or transmitted in any form or by any means, without the prior written permissions of the publisher. Typing errors reserved. No rights may be derived from these drawings and tables.

Pagina:

2 / 9

Copyright Koninklijke Saan B.V., 2009

Merk:	TADANO
Type:	ATF130G-5



Merk:	TADANO
Type:	ATF130G-5

Vlucht	Hoofdmast 12.8- 60 m												
	Contragewicht 42.3 ton												
(M)	12.8		17.1	21.4	25.8	30.1	34.4	38.7	43.0	47.4	51.7	56.0	60.0
	*	*											
3	111.5 *	105.0 *	90.0	90.0									
3,5	100.9 *	96.0	90.0	90.0	70.0								
4	92.1	88.4	88.2	87.8	70.0								
4,5	84.7	81.8	81.6	81.3	70.0	54.3							
5	78.3	76.0	75.9	75.5	70.0	51.3	44.0						
6	67.8	66.4	66.2	65.7	66.0	50.0	42.3	32.8					
7	59.7	58.3	58.3	57.6	58.1	49.3	38.4	32.8	27.1				
8	53.1	51.4	51.7	51.4	51.2	46.0	38.0	32.8	27.1	21.4			
9	47.8	45.6	45.9	45.8	45.4	43.1	35.8	30.3	27.1	21.4	16.6		
10	42.1	40.6	41.1	41.0	40.6	40.6	33.7	28.1	26.5	21.4	16.6	13.2	
11			37.1	37.0	36.6	37.3	31.8	26.2	24.7	21.4	16.6	13.2	10.6
12			34.0	33.6	33.5	33.9	30.1	24.5	23.1	21.3	16.6	13.2	10.6
14			28.8	28.2	28.9	28.4	27.2	21.6	20.4	19.2	16.6	13.2	10.6
16				24.4	24.7	24.2	24.9	19.3	18.2	17.4	15.8	13.2	10.6
18				20.9	20.7	21.1	20.9	17.4	16.7	15.7	14.5	12.8	10.6
20					17.7	18.4	17.8	15.8	15.2	14.1	13.5	12.0	10.5
22					16.2	15.9	15.3	14.5	13.9	12.7	12.2	11.2	9.7
24						13.9	13.3	12.9	12.7	11.5	11.0	10.4	9.0
26						12.3	11.7	12.1	11.7	10.5	10.0	9.8	8.2
28							10.6	10.8	10.3	9.6	9.2	9.0	7.5
30							10.1	9.6	9.1	8.7	8.4	8.3	6.9
32							8.1	8.6	8.1	7.9	7.8	7.6	6.3
34								7.7	7.5	7.4	7.1	7.1	5.8
36								7.0	7.1	6.7	6.5	6.6	5.4
38									6.5	6.0	6.1	6.0	5.0
40									5.9	5.4	5.7	5.4	4.6
42										4.9	5.2	4.8	4.3
44										4.5	4.7	4.3	4.0
46											4.3	3.9	3.8
48											3.9	3.5	3.5
50												3.1	3.1
52												2.8	2.7
54													2.4
56													2.2

* Alleen over de achterzijde van de kraan

Merk:	TADANO
Type:	ATF130G-5

Vlucht (M)	Hoofdmast 12.8- 60 m												
	Contragewicht 31.7 ton												
	12.8		17.1	21.4	25.8	30.1	34.4	38.7	43.0	47.4	51.7	56.0	60.0
	*	*											
3	109.4 *	104.0 *	90.0	90.0									
3,5	99.0	95.1	90.0	90.0	70.0								
4	90.4	87.5	87.4	87.0	70.0								
4,5	83.1	81.0	80.9	80.5	70.0	54.3							
5	76.8	75.0	74.8	74.4	70.0	51.3	44.0						
6	66.5	64.7	64.5	63.9	64.5	50.0	42.3	32.8					
7	58.5	55.9	56.2	55.8	55.6	49.3	38.4	32.8	27.1				
8	52.1	48.9	49.2	49.1	48.6	46.0	38.0	32.8	27.1	21.4			
9	46.8	43.2	43.5	43.4	43.0	43.1	35.8	30.3	27.1	21.4	16.6		
10	42.1	38.6	38.9	38.8	38.3	39.1	33.7	28.1	26.5	21.4	16.6	13.2	
11			35.5	34.9	35.4	35.2	31.8	26.2	24.7	21.4	16.6	13.2	10.6
12			31.8	31.1	32.1	31.4	30.1	24.5	23.1	21.3	16.6	13.2	10.6
14			25.1	25.5	25.3	25.4	25.4	21.6	20.4	19.2	16.6	13.2	10.6
16				20.8	20.8	21.3	20.7	19.3	18.2	17.4	15.8	13.2	10.6
18				18.0	18.1	17.8	17.2	16.6	16.7	15.7	14.5	12.8	10.6
20					15.3	15.1	14.4	14.7	14.5	14.1	13.5	12.0	10.5
22					13.1	12.9	12.6	12.8	12.4	11.9	12.2	11.2	9.7
24						11.1	11.6	11.1	10.6	10.9	10.5	10.4	9.0
26						10.3	10.2	9.6	9.8	9.4	9.4	9.4	8.2
28							9.0	8.4	8.7	8.2	8.6	8.2	7.5
30							7.9	7.8	7.6	7.3	7.6	7.1	6.9
32							7.1	7.3	6.8	6.7	6.7	6.3	6.3
34								6.5	6.2	6.2	5.9	5.5	5.5
36								5.9	5.8	5.5	5.3	4.8	4.8
38									5.2	4.9	4.7	4.2	4.2
40									4.7	4.4	4.1	3.7	3.7
42										4.0	3.7	3.2	3.2
44										3.5	3.2	2.8	2.8
46											2.9	2.4	2.4
48											2.5	2.1	2.1
50												1.8	1.8
52												1.5	1.5
54													1.2
56													1.0

* Alleen over de achterzijde van de kraan



KONINKLIJKE
SAAN

0900 - 660 60 60
www.saan.nl
info@saan.nl

Versiedatum: 9-12-2021

Servicecode:

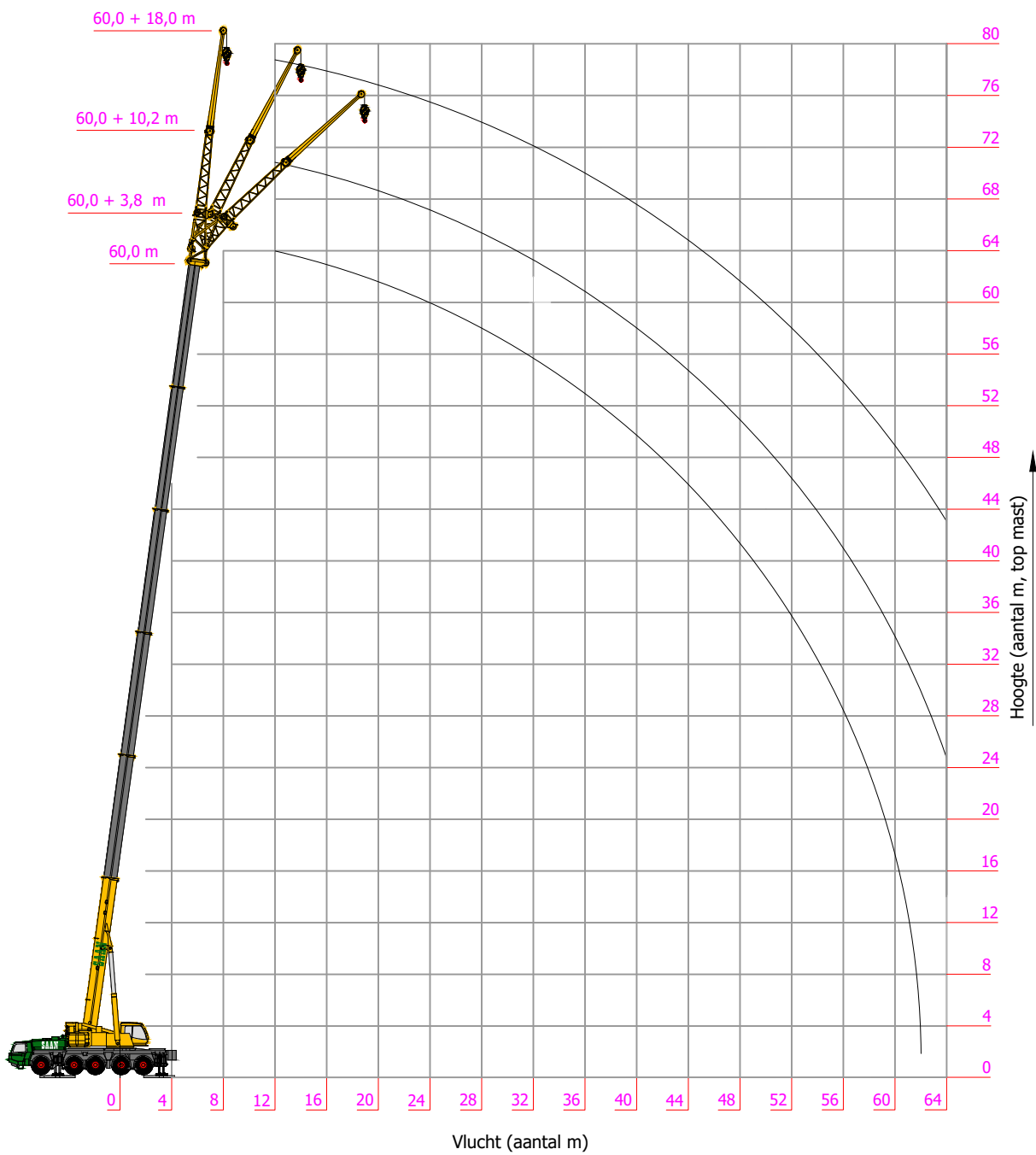
K130AK

This publication remains the property of the publisher and shall be treated as confidential, unless contractually specified otherwise. No parts of it may be reproduced, stored in a retrieval system or transmitted in any form or by any means, without the prior written permissions of the publisher. Typing errors reserved. No rights may be derived from these drawings and tables.
Copyright Koninklijke Saan B.V., 2009

Pagina:

5 / 9

Merk:	TADANO
Type:	ATF130G-5



KONINKLIJKE
SAAN

0900 - 660 60 60
www.saan.nl
info@saan.nl

Versiedatum: **9-12-2021**

Servicecode:

K130AK

This publication remains the property of the publisher and shall be treated as confidential, unless contractually specified otherwise. No parts of it may be reproduced, stored in a retrieval system or transmitted in any form or by any means, without the prior written permissions of the publisher. Typing errors reserved. No rights may be derived from these drawings and tables.

Pagina:

6 / 9

Copyright Koninklijke Saan B.V. 2009

Merk: TADANO
 Type: ATF130G-5

Vlucht		Hoofdmast 12.8- 60 m + 10.2 m Jib															Vlucht
		Contragewicht 42.4 ton															
		12.8 m 10.2 m			25.8 m 10.2 m			38.7 m 10.2 m			51.7 m 10.2 m			60.0 m 10.2 m			
(M)	0°	20°	40°	0°	20°	40°	0°	20°	40°	0°	20°	40°	0°	20°	40°	(M)	
3	15.0															3	
4	15.0			15.0												4	
5	15.0	14.1		15.0			11.9									5	
6	15.0	13.0		15.0			11.9									6	
7	15.0	12.1		15.0	14.7		11.9			6.4						7	
8	15.0	11.3	9.1	15.0	13.9		11.9	11.9		6.4						8	
9	13.8	10.6	8.7	15.0	13.2	9.6	11.9	11.6		6.4						9	
10	12.6	10.0	8.4	15.0	12.6	9.3	11.9	11.2		6.4			5.7			10	
11	11.4	9.4	8.0	15.0	12.0	9.1	11.9	10.7	8.7	6.4	6.4		5.7			11	
12	10.4	9.0	7.8	15.0	11.5	8.8	11.9	10.3	8.7	6.4	6.4		5.7			12	
14	8.9	8.2	7.3	15.0	10.6	8.3	11.6	9.6	8.6	6.4	6.4	6.4	5.7	5.7		14	
16	7.8	7.6	7.0	13.7	9.8	7.9	10.9	9.0	8.1	6.4	6.4	6.1	5.7	5.7		16	
18	6.9	7.1		12.3	9.2	7.6	10.1	8.5	7.7	6.4	6.3	5.8	5.7	5.6	5.3	18	
20	6.1			11.1	8.6	7.3	9.4	8.0	7.3	6.4	5.9	5.5	5.7	5.4	5.0	20	
22				9.9	8.1	7.1	8.9	7.6	7.0	6.3	5.7	5.3	5.7	5.1	4.8	22	
24				9.0	7.8	6.9	8.4	7.2	6.7	6.0	5.4	5.1	5.4	4.9	4.6	24	
26				8.2	7.4	6.8	7.9	6.9	6.5	5.7	5.2	4.9	5.2	4.7	4.5	26	
28				7.5	7.1	6.4	7.6	6.7	6.3	5.4	5.0	4.7	5.0	4.5	4.3	28	
30				7.0	6.9		7.2	6.4	6.1	5.1	4.8	4.5	4.7	4.4	4.2	30	
32				6.7	6.8		7.0	6.2	5.9	4.9	4.6	4.4	4.5	4.2	4.0	32	
34							6.7	6.0	5.8	4.7	4.5	4.3	4.4	4.1	3.9	34	
36							6.5	5.9	5.7	4.5	4.3	4.2	4.2	4.0	3.8	36	
38							5.9	5.7	5.6	4.3	4.1	4.0	4.0	3.8	3.7	38	
40							5.3	5.5		4.1	4.0	3.9	3.9	3.7	3.6	40	
44							4.3	4.4		3.8	3.7	3.6	3.6	3.4	3.3	44	
48										3.5	3.4	3.4	3.1	3.0	3.0	48	
52										3.0	3.1		2.5	2.7	2.7	52	
56										2.4	2.5		1.9	2.1		56	
60													1.4	1.5		60	
64													0.9	1.0		64	



KONINKLIJKE
SAAN

0900 - 660 60 60
 www.saan.nl
 info@saan.nl

Versiedatum: 9-12-2021

Servicecode:

K130AK

This publication remains the property of the publisher and shall be treated as confidential, unless contractually specified otherwise. No parts of it may be reproduced, stored in a retrieval system or transmitted in any form or by any means, without the prior written permissions of the publisher. Typing errors reserved. No rights may be derived from these drawings and tables.

Pagina:

7 / 9

Copyright Koninklijke Saan B.V., 2009

Merk:	TADANO
Type:	ATF130G-5

Vlucht	Hoofdmast 12.8- 60 m + 18 m Jib															Vlucht
	Contragewicht 42.4 ton															
	12.8 m 18 m			25.8 m 18 m			38.7 m 18 m			51.7 m 18 m			60.0 m 18 m			
(M)	0°	20°	40°	0°	20°	40°	0°	20°	40°	0°	20°	40°	0°	20°	40°	(M)
3	7.8															3
4	7.8															4
5	7.8			7.4												5
6	7.8			7.4			5.5									6
7	7.5			7.4			5.5									7
8	7.1			7.4			5.5			3.9						8
9	6.7	5.2		7.4			5.5			3.9						9
10	6.3	5.0		7.1	4.9		5.5			3.9						10
11	6.0	4.7		6.9	4.9		5.5			3.9			3.6			11
12	5.7	4.5		6.6	4.8		5.5	4.6		3.9			3.6			12
14	5.1	4.1	3.5	6.1	4.4		5.5	4.3		3.9			3.6			14
16	4.6	3.8	3.3	5.7	4.2	3.4	5.5	4.1		3.9	3.9		3.6			16
18	4.2	3.5	3.1	5.3	3.9	3.2	5.2	3.9	3.2	3.9	3.7		3.6	3.5		18
20	3.9	3.3	3.0	4.9	3.7	3.1	5.0	3.7	3.1	3.9	3.6		3.6	3.4		20
22	3.6	3.1	2.9	4.6	3.5	3.0	4.7	3.6	3.0	3.9	3.5	2.9	3.6	3.3		22
24	3.3	3.0	2.8	4.3	3.3	2.9	4.5	3.4	3.0	3.9	3.4	2.9	3.6	3.2	2.6	24
26	3.1	2.9		4.0	3.2	2.8	4.2	3.3	2.9	3.9	3.2	2.8	3.6	3.1	2.6	26
28	3.0			3.8	3.1	2.7	4.1	3.2	2.8	3.9	3.2	2.7	3.6	3.0	2.5	28
30				3.6	3.0	2.7	3.9	3.1	2.7	3.8	3.1	2.7	3.6	2.9	2.4	30
32				3.4	2.9	2.7	3.7	3.0	2.7	3.7	3.0	2.6	3.6	2.8	2.4	32
34				3.3	2.8	2.6	3.6	2.9	2.6	3.6	2.9	2.6	3.4	2.7	2.3	34
36				3.2	2.8	2.6	3.4	2.8	2.6	3.5	2.8	2.5	3.3	2.7	2.3	36
38				3.0	2.7		3.3	2.8	2.6	3.4	2.7	2.5	3.2	2.6	2.2	38
40				3.0	2.7		3.2	2.7	2.5	3.3	2.7	2.5	3.1	2.6	2.2	40
44							3.0	2.6	2.5	3.1	2.6	2.4	2.9	2.4	2.1	44
48							2.8	2.5		2.9	2.5	2.3	2.6	2.3	2.1	48
52							2.8	2.5		2.8	2.4	2.3	2.3	2.2	2.1	52
56										2.6	2.3	2.3	2.1	2.0	2.0	56
60										2.1	2.3		1.6	1.8	1.8	60
64										1.7	1.8		1.2	1.4		64
68														0.9		68



KONINKLIJKE
SAAN

0900 - 660 60 60
www.saan.nl
info@saan.nl

Versiedatum: 9-12-2021

Servicecode:

K130AK

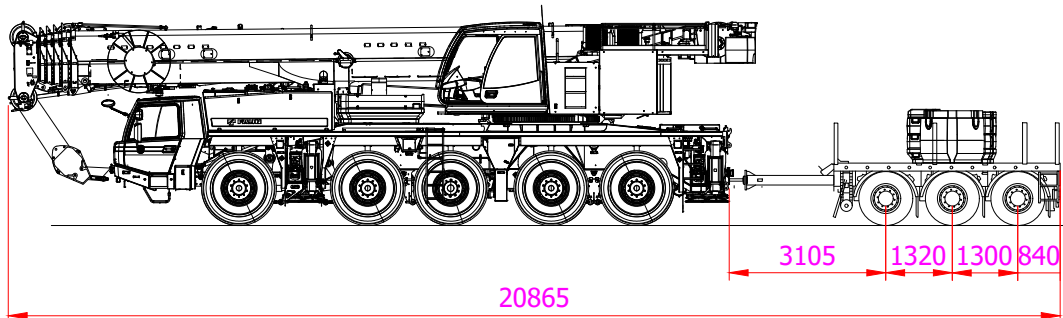
This publication remains the property of the publisher and shall be treated as confidential, unless contractually specified otherwise. No parts of it may be reproduced, stored in a retrieval system or transmitted in any form or by any means, without the prior written permissions of the publisher. Typing errors reserved. No rights may be derived from these drawings and tables.

Pagina:

8 / 9

Copyright Koninklijke Saan B.V., 2009

Merk:	TADANO
Type:	ATF130G-5



KONINKLIJKE
SAAN

0900 - 660 60 60
www.saan.nl
info@saan.nl

Versiedatum: 9-12-2021

Servicecode:

K130AK

This publication remains the property of the publisher and shall be treated as confidential, unless contractually specified otherwise. No parts of it may be reproduced, stored in a retrieval system or transmitted in any form or by any means, without the prior written permissions of the publisher. Typing errors reserved. No rights may be derived from these drawings and tables.

Pagina:

9 / 9

Copyright Koninklijke Saan B.V., 2009