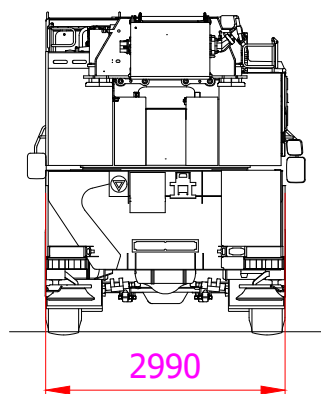
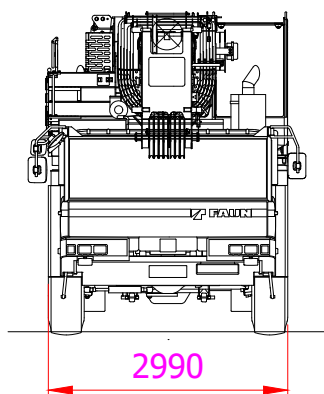
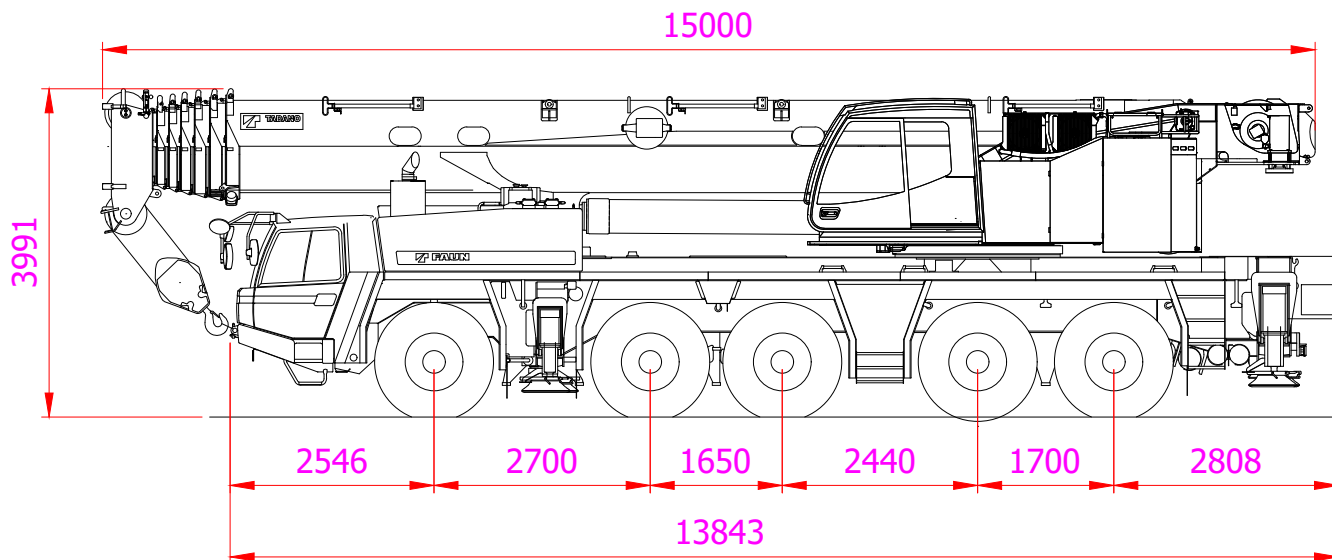


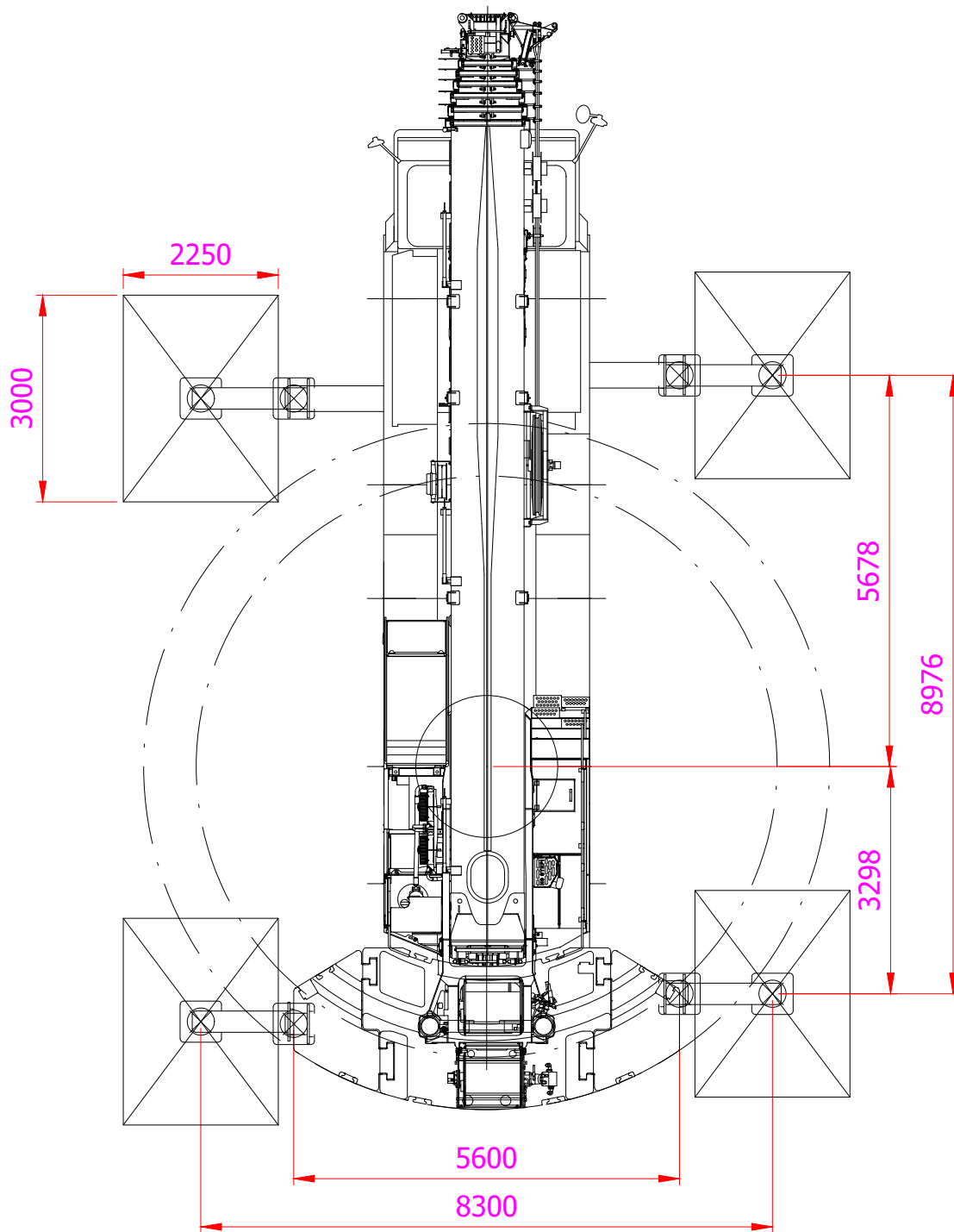
Merk: FAUN
 Type: ATF-220G-5



Voertuigeigenschappen			
Totaal gewicht (kg)	Asconfiguratie	Hondengang mogelijk	Doorrijhoogte (cm)
60000	10x8x8	Ja	339.1

Hijsblokken		
Capaciteit	Gewicht (kg)	Omschrijving
25	450	1-schijf
63	850	3-schijf

Merk:	FAUN
Type:	ATF-220G-5



KONINKLIJKE
SAAN

0900 - 660 60 60
www.saan.nl
info@saan.nl

Versiedatum: 23-12-2021

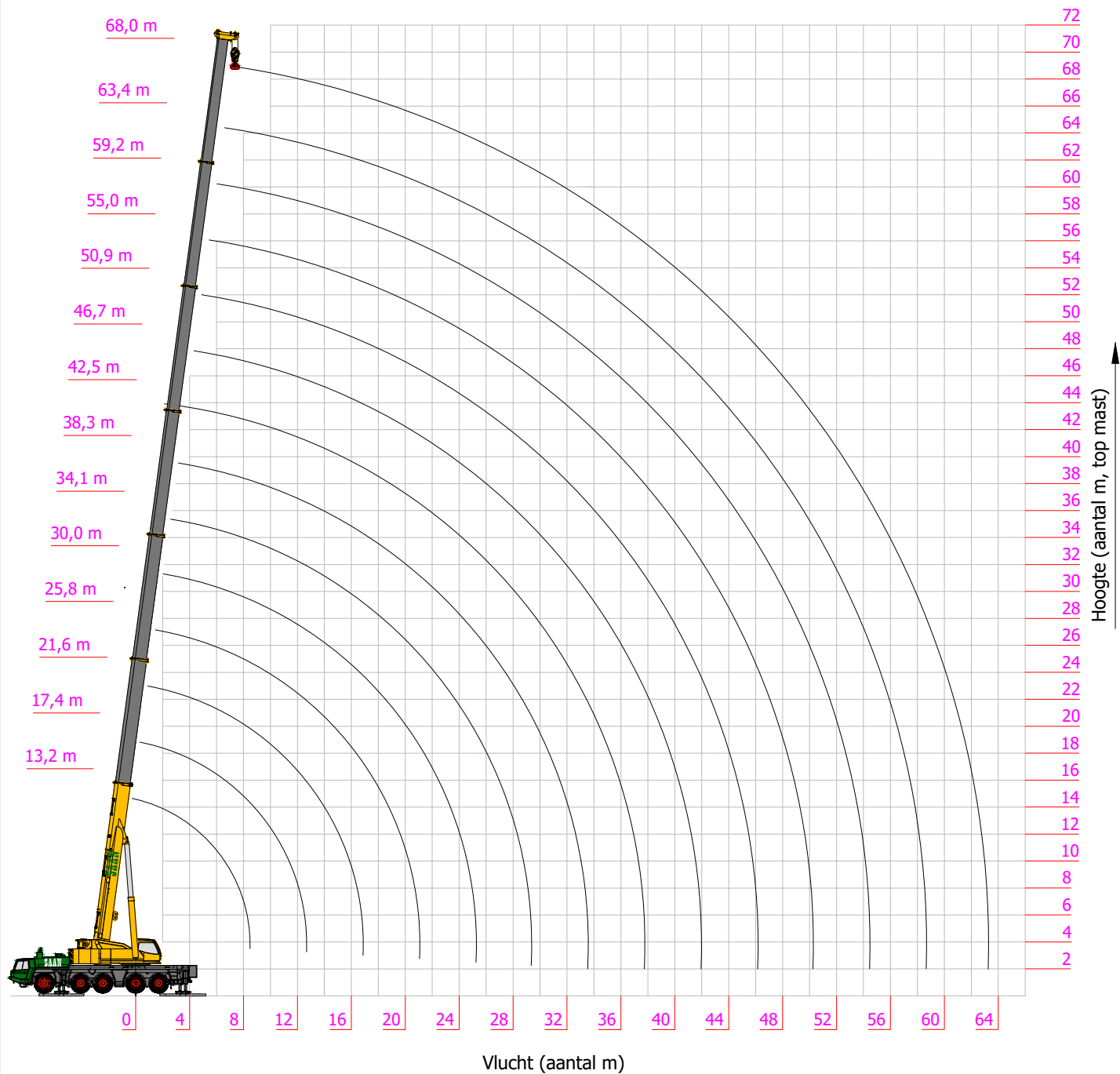
Servicecode: K220AK

This publication remains the property of the publisher and shall be treated as confidential, unless contractually specified otherwise. No parts of it may be reproduced, stored in a retrieval system or transmitted in any form or by any means, without the prior written permissions of the publisher. Typing errors reserved. No rights may be derived from these drawings and tables.
Copyright Koninklijke Saan B.V. 2009

Pagina:

2 / 8

Merk:	FAUN
Type:	ATF-220G-5



KONINKLIJKE
SAAN

0900 - 660 60 60
www.saan.nl
info@saan.nl

Versiedatum: 23-12-2021	Servicecode: K220AK
<small>This publication remains the property of the publisher and shall be treated as confidential, unless contractually specified otherwise. No parts of it may be reproduced, stored in a retrieval system or transmitted in any form or by any means, without the prior written permissions of the publisher. Typing errors reserved. No rights may be derived from these drawings and tables.</small>	
Pagina: 3 / 8	Copyright Koninklijke Saan B.V. 2009

Merk:	FAUN
Type:	ATF-220G-5

Vlucht	Hoofdmast 13.2- 68 m													
	Contragewicht 71 ton													

(M)	13.2 m		17.4 m	21.6 m	25.8 m	30 m	34.1 m	38.3 m	42.5 m	46.7 m	50.9 m	55 m	59.2 m	63.4 m	68 m
	*														
3	180.0 *	176.5*	140.0*	140.0*	114.4										
3,5	169.5 *	160.0*	140.0*	140.0*	114.3	90.5									
4	160.0 *	150.5*	140.0*	140.0*	108.8	90.5									
4,5	150.5 *	138.0*	137.7*	136.9*	103.7	90.5	70.0								
5	135.5 *	127.0	126.8	126.0	103.0	87.0	70.0	54.5							
6	112.5	109.0	109.0	108.2	103.0	79.8	70.0	54.5	43.5						
7	96.3	95.5	95.1	94.2	94.9	77.5	66.2	54.5	43.5	34.5					
8	83.6	83.6	83.4	82.5	83.1	77.5	61.2	54.5	43.5	34.5	28.5				
9	73.5	73.5	73.2	72.4	73.0	73.7	58.0	52.0	43.4	34.5	28.5	23.0			
10	65.4	65.4	65.0	64.2	64.7	65.5	58.0	48.9	41.4	34.5	28.5	23.0	18.8		
11			58.3	57.5	58.0	58.7	56.7	45.7	39.4	34.1	28.5	23.0	18.8	15.0	
12			52.7	51.9	52.4	53.1	54.0	42.8	37.6	32.6	28.3	23.0	18.8	15.0	13.8
14			44.0	43.2	43.7	44.3	45.2	40.0	35.6	30.0	26.8	22.8	18.8	15.0	13.8
16				36.6	37.1	37.7	38.6	37.3	32.4	28.5	24.9	21.8	18.8	15.0	13.8
18				31.6	32.0	32.6	33.4	34.1	29.3	26.4	23.1	20.4	18.3	15.0	13.4
20					27.7	28.5	30.4	30.0	26.8	24.5	21.5	19.1	17.2	15.0	13.1
22					23.7	26.2	27.1	26.3	24.6	22.9	20.1	17.8	16.2	14.8	12.8
24						24.3	23.8	23.0	22.3	21.2	18.8	16.7	15.2	14.0	12.5
26						21.6	21.1	20.3	19.6	19.4	17.6	15.7	14.4	13.3	12.2
28							18.8	18.0	17.3	17.1	16.6	14.8	13.6	12.6	11.4
30							16.9	16.1	16.2	15.2	15.3	14.0	12.8	11.9	10.6
32								14.5	15.1	13.5	13.7	13.2	12.1	11.3	9.9
34								13.1	13.7	12.1	12.5	12.5	11.5	10.8	9.3
36									12.4	11.5	12.0	11.2	10.9	10.2	8.7
38									11.3	11.0	11.0	10.1	10.4	9.8	8.2
40										10.6	10.0	9.3	9.4	9.3	7.7
42										9.8	9.1	8.7	8.7	8.5	7.3
44										8.1	8.3	8.2	7.9	8.0	6.8
46											7.6	7.7	7.5	7.6	6.4
48											7.0	7.0	7.1	6.9	6.1
50												6.4	6.7	6.3	5.7
52												5.9	6.3	5.7	5.4
54													5.8	5.2	5.1
56													5.3	4.8	4.7
58														4.4	4.3
60														4.0	3.9
62															3.5
64															3.2

* Op aanvraag

Copyright Koninklijke Saan B.V. 2009

Merk:	FAUN
Type:	ATF-220G-5

Vlucht	Hoofdmast 13.2- 68 m
	Contragewicht 47 ton

(M)	13.2 m		17.4 m	21.6 m	25.8 m	30 m	34.1 m	38.3 m	42.5 m	46.7 m	50.9 m	55 m	59.2 m	63.4 m	68 m
	*	*													
3	180.0 *	174.5*	140.0*	140.0*	114.4										
3,5	169.5 *	157.4*	140.0*	140.0*	114.3	90.5									
4	154.1 *	142.9*	140.0*	140.0*	108.8	90.5									
4,5	137.2 *	130.6	130.1	129.2	103.7	90.5	70.0								
5	123.4	119.9	119.4	118.5	103.0	87.0	70.0	54.5							
6	102.5	102.5	102.0	101.1	101.8	79.8	70.0	54.5	43.5						
7	86.7	86.8	86.4	85.5	86.1	77.5	66.2	54.5	43.5	34.5					
8	74.8	74.9	74.4	73.6	74.2	75.0	61.2	54.5	43.5	34.5	28.5				
9	65.6	65.7	65.2	64.4	65.0	65.7	58.0	52.0	43.4	34.5	28.5	23.0			
10	58.3	58.3	57.8	57.0	57.5	58.3	58.0	48.9	41.4	34.5	28.5	23.0	18.8		
11			51.7	50.9	51.5	52.2	52.2	45.7	39.4	34.1	28.5	23.0	18.8	15.0	
12			46.6	45.7	46.3	47.0	46.7	42.8	37.6	32.6	28.3	23.0	18.8	15.0	13.8
14			36.2	35.1	35.8	36.8	38.7	38.2	35.6	30.0	26.8	22.8	18.8	15.0	13.8
16				28.3	30.2	32.9	32.3	31.5	30.5	28.5	24.9	21.8	18.8	15.0	13.8
18				26.2	27.6	27.4	26.9	26.1	25.3	25.1	23.1	20.4	18.3	15.0	13.4
20					23.5	23.3	22.8	22.0	21.4	21.0	21.2	19.1	17.2	15.0	13.1
22					20.4	20.1	19.6	18.8	19.5	17.9	18.0	17.8	16.2	14.8	12.8
24						17.5	17.0	16.2	16.9	15.4	15.9	15.7	15.2	14.0	12.5
26						15.5	14.9	14.1	14.8	14.6	14.5	14.2	14.1	13.3	12.2
28							13.1	12.3	13.0	13.5	12.7	12.9	12.4	12.6	11.4
30							11.7	10.9	11.5	12.0	11.2	11.4	11.8	11.3	10.6
32								9.6	10.2	10.7	10.5	10.8	10.5	10.0	9.9
34								8.8	9.6	9.7	9.8	9.8	9.4	8.8	8.8
36									9.1	9.1	9.2	8.8	8.4	7.8	7.8
38									8.7	8.5	8.4	7.9	7.5	7.0	6.9
40										7.8	7.6	7.2	6.7	6.2	6.2
42										7.2	6.9	6.5	6.0	5.5	5.5
44										6.6	6.3	5.8	5.4	4.9	4.8
46											5.7	5.3	4.8	4.3	4.3
48												5.2	4.8	4.3	3.8
50													4.3	3.8	3.3
52													3.9	3.4	2.9
54														3.0	2.5
56														2.7	2.1
58															1.8
60															1.5
62															1.2
64															0.9

* Op aanvraag



KONINKLIJKE
SAAN

0900 - 660 60 60
www.saan.nl
info@saan.nl

Versiedatum: 23-12-2021

Servicecode: K220AK

This publication remains the property of the publisher and shall be treated as confidential, unless contractually specified otherwise. No parts of it may be reproduced, stored in a retrieval system or transmitted in any form or by any means, without the prior written permissions of the publisher. Typing errors reserved. No rights may be derived from these drawings and tables.

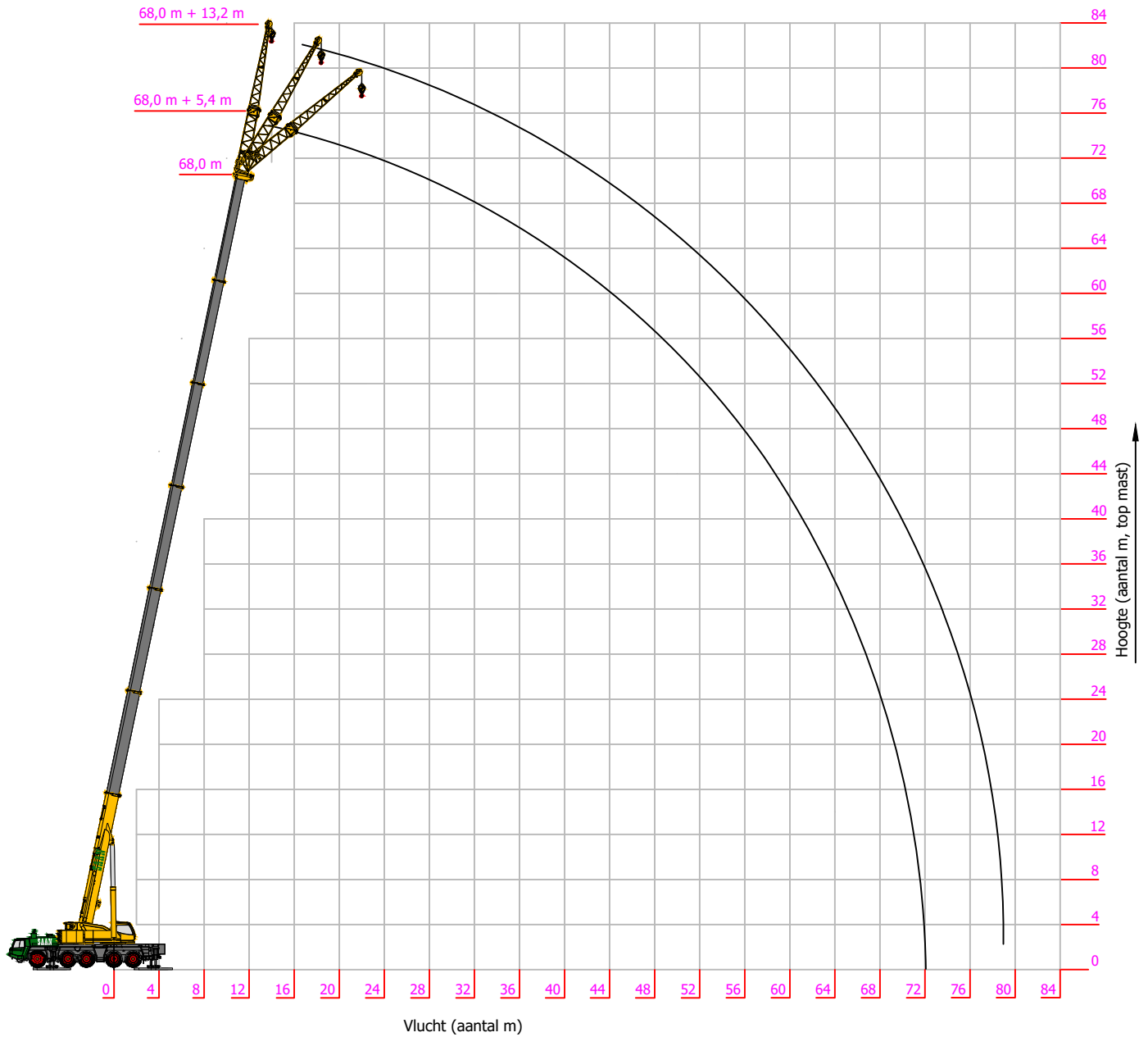
Pagina:

5 / 8

Copyright Koninklijke Saan B.V. 2009

Merk: FAUN

Type: ATF-220G-5



KONINKLIJKE
SAAN

0900 - 660 60 60
www.saan.nl
info@saan.nl

Versiedatum: 23-12-2021

Servicecode: K220AK

This publication remains the property of the publisher and shall be treated as confidential, unless contractually specified otherwise. No parts of it may be reproduced, stored in a retrieval system or transmitted in any form or by any means, without the prior written permissions of the publisher. Typing errors reserved. No rights may be derived from these drawings and tables.
Copyright Koninklijke Saan B.V. 2009

Pagina:
6 / 8

Merk:	FAUN
Type:	ATF-220G-5

Hoofdmast 42.5 - 68 m + 5.8 m Jib																						
Vlucht	Contragewicht 71 ton																					Vlucht
	42.5 m			46.7 m			50.9 m			55 m			59.2 m			63.4 m			68 m			
(M)	0°	20°	40°	0°	20°	40°	0°	20°	40°	0°	20°	40°	0°	20°	40°	0°	20°	40°	0°	20°	40°	(M)
3																						3
3,5																						3,5
4																						4
4,5																						4,5
5																						5
6																						6
7																						7
8	24.0			19.8																		8
9	24.0	24.0		19.8																		9
10	24.0	24.0		19.8	17.0		17.8															10
11	24.0	24.0	21.7	19.2	16.4	14.8	17.8	15.8		15.5												11
12	24.0	24.0	21.4	18.4	15.9	14.4	17.2	15.3		15.5	14.0		12.9									12
14	24.0	23.6	20.9	17.1	14.9	13.6	16.1	14.4	13.2	14.7	13.3	12.3	12.9	12.0		10.9	10.1		10.0			14
16	22.7	21.9	20.4	15.9	14.1	12.9	15.2	13.6	12.6	13.9	12.6	11.7	12.3	11.4	10.8	10.3	9.6	9.2	9.4	8.8		16
18	21.1	20.4	20.0	15.0	13.3	12.3	14.4	12.9	12.0	13.2	12.0	11.2	11.6	10.9	10.4	9.8	9.2	8.8	9.0	8.4	8.1	18
20	19.7	19.1	18.8	14.2	12.7	11.8	13.6	12.3	11.5	12.6	11.5	10.7	11.1	10.4	10.0	9.3	8.7	8.4	8.6	8.0	7.8	20
22	18.5	18.0	17.6	13.5	12.2	11.4	12.9	11.7	11.0	12.1	11.0	10.3	10.5	10.0	9.6	8.9	8.4	8.1	8.2	7.7	7.4	22
24	17.3	16.9	16.6	12.9	11.7	11.0	12.4	11.3	10.6	11.5	10.5	10.0	10.1	9.6	9.2	8.5	8.0	7.7	7.8	7.4	7.1	24
26	16.3	15.9	15.7	12.3	11.3	10.7	11.8	10.8	10.3	11.0	10.1	9.6	9.7	9.2	8.9	8.2	7.7	7.5	7.5	7.1	6.9	26
28	15.4	15.0	14.9	11.8	10.9	10.4	11.4	10.5	9.9	10.6	9.8	9.3	9.3	8.8	8.6	7.8	7.5	7.2	7.2	6.9	6.7	28
30	14.5	14.3	14.1	11.4	10.5	10.1	11.0	10.1	9.7	10.2	9.5	9.0	8.9	8.5	8.3	7.5	7.2	7.0	6.9	6.7	6.5	30
32	13.2	13.5	13.4	11.1	10.3	9.9	10.6	9.8	9.4	9.7	9.2	8.8	8.6	8.2	8.1	7.2	7.0	6.8	6.6	6.4	6.3	32
34	11.7	12.0	12.1	10.7	10.0	9.7	10.3	9.6	9.2	9.3	8.9	8.6	8.3	8.0	7.8	7.0	6.7	6.6	6.4	6.2	6.1	34
36	10.5	10.7	10.8	10.5	9.8	9.5	10.0	9.4	9.0	8.9	8.7	8.4	7.9	7.7	7.6	6.8	6.5	6.4	6.2	6.0	5.9	36
38	9.4	9.6		9.9	9.6	9.4	9.6	9.2	8.9	8.5	8.4	8.3	7.6	7.5	7.4	6.5	6.3	6.2	6.0	5.8	5.7	38
40	8.4	8.5		8.9	9.1		8.8	9.0	8.8	8.1	8.1	8.0	7.3	7.2	7.2	6.3	6.1	6.1	5.8	5.6	5.5	40
42	7.5	7.6		8.0	8.2		8.1	8.2		7.4	7.7	7.7	7.0	6.9	6.9	6.2	6.0	5.9	5.6	5.5	5.4	42
44	6.8	6.8		7.2	7.4		7.3	7.4		7.0	7.0	7.0	6.5	6.5	6.7	6.0	5.8	5.8	5.5	5.3	5.3	44
46				6.5	6.6		6.6	6.7		6.7	6.7		6.1	6.1	6.1	5.8	5.7	5.6	5.3	5.2	5.1	46
48				5.9			5.9	6.0		6.0	6.2		5.8	5.8	5.8	5.5	5.5	5.5	5.2	5.1	5.0	48
50							5.3	5.4		5.4	5.5		5.5	5.5		5.2	5.2	5.2	5.0	5.0	4.9	50
52							4.8			4.9	5.0		5.1	5.2		4.9	4.9	4.9	4.7	4.8	4.8	52
56										3.9			4.2	4.3		4.4	4.4		4.3	4.3	4.3	56
60													3.4			3.7	3.7		3.7	3.8		60
64																3.0			3.0	3.0		64
68																			2.3			68

Merk:	FAUN
Type:	ATF-220G-5

Hoofdmast 13.2 - 68 m +12 m Jib																
Vlucht	Contragewicht 71 ton															Vlucht
	13.2 m 13.2 m			34.1 m 13.2 m			50.9 m 13.2 m			63.4 m 13.2 m			68 m 13.2 m			
(M)	0°	20°	40°	0°	20°	40°	0°	20°	40°	0°	20°	40°	0°	20°	40°	(M)
3	19.7															3
3,5	19.6															3,5
4	19.1															4
4,5	18.6															4,5
5	18.0															5
6	17.0	14.1		19.0												6
7	16.0	13.2		18.4												7
8	15.1	12.4		17.8												8
9	14.3	11.6	9.7	17.3												9
10	13.5	11.0	9.3	16.7	13.3		13.1									10
11	12.9	10.5	8.9	16.2	12.9		13.1									11
12	12.3	10.0	8.6	15.7	12.4		13.1									12
14	11.0	9.1	8.1	14.7	11.6	9.2	13.0	10.8		7.5						14
16	9.8	8.4	7.7	13.9	11.0	8.9	12.2	10.3		7.5			6.6			16
18	8.8	7.9	7.4	13.1	10.4	8.6	11.6	9.8	8.7	7.5	7.3		6.6			18
20	8.0	7.5		12.4	9.8	8.3	11.0	9.3	8.4	7.5	7.0		6.6	6.5		20
22	7.4	7.2		11.8	9.4	8.1	10.5	8.9	8.1	7.2	6.7	6.2	6.6	6.2	5.8	22
24				11.3	9.0	7.9	10.0	8.5	7.8	6.9	6.4	6.0	6.4	6.0	5.6	24
26				10.8	8.6	7.7	9.6	8.2	7.5	6.7	6.1	5.8	6.1	5.7	5.4	26
28				10.1	8.3	7.5	9.1	7.9	7.3	6.5	5.9	5.6	6.0	5.5	5.2	28
30				9.6	8.0	7.4	8.7	7.6	7.1	6.2	5.7	5.4	5.8	5.3	5.0	30
32				9.1	7.8	7.3	8.4	7.3	6.9	6.0	5.5	5.2	5.5	5.1	4.9	32
34				8.6	7.6	7.2	8.1	7.1	6.7	5.8	5.3	5.1	5.3	5.0	4.7	34
36				8.2	7.4		7.8	6.9	6.5	5.6	5.2	4.9	5.2	4.8	4.6	36
38				7.9	7.3		7.6	6.7	6.4	5.4	5.0	4.8	5.0	4.7	4.4	38
40				7.6	7.2		7.3	6.5	6.2	5.2	4.9	4.6	4.8	4.5	4.3	40
42				7.3			7.1	6.4	6.1	5.1	4.8	4.5	4.7	4.4	4.2	42
44							7.0	6.2	6.0	4.9	4.6	4.4	4.5	4.3	4.1	44
46							6.8	6.1	5.9	4.8	4.5	4.3	4.4	4.2	4.0	46
48							6.4	6.0	5.8	4.6	4.4	4.3	4.3	4.1	3.9	48
50							5.8	5.9		4.5	4.3	4.2	4.2	4.0	3.9	50
52							5.2	5.5		4.4	4.2	4.1	4.0	3.9	3.8	52
56							4.3	4.4		4.0	4.0	3.9	3.8	3.7	3.6	56
60							3.3			3.6	3.6		3.5	3.5	3.5	60
64										3.2	3.3		3.1	3.2		64
68										2.7	2.8		2.6	2.7		68
72										2.1			2.0	2.1		72
76													1.5			76



KONINKLIJKE
SAAN

0900 - 660 60 60
www.saan.nl
info@saan.nl

Versiedatum: 23-12-2021

Servicecode: K220AK

This publication remains the property of the publisher and shall be treated as confidential, unless contractually specified otherwise. No parts of it may be reproduced, stored in a retrieval system or transmitted in any form or by any means, without the prior written permissions of the publisher. Typing errors reserved. No rights may be derived from these drawings and tables.
Copyright Koninklijke Saan B.V. 2009

Pagina:

8 / 8