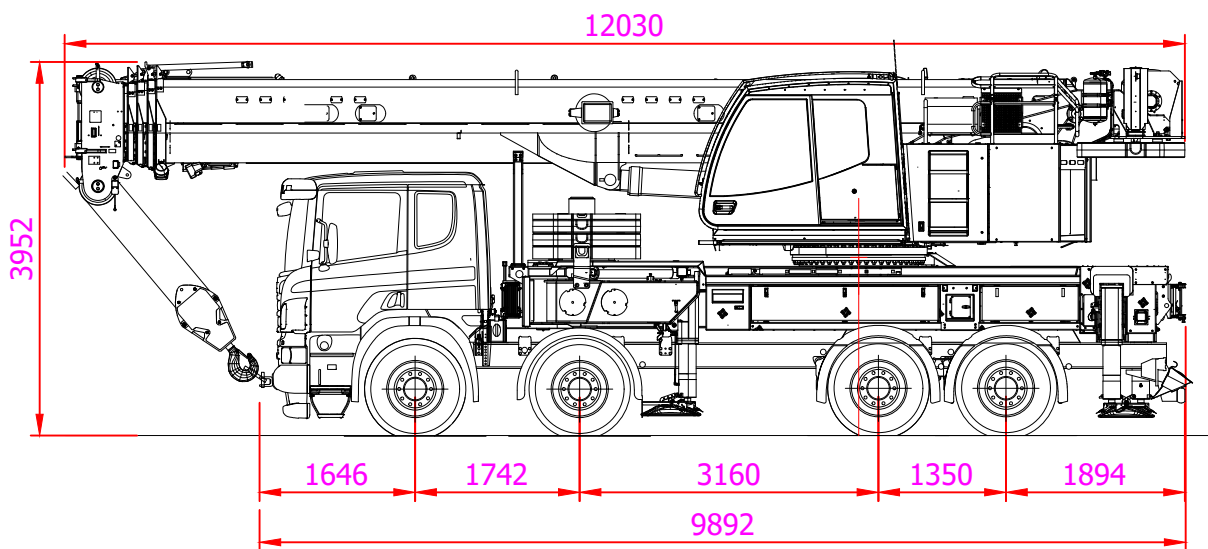


Merk:	Scania / Faun
Type:	P400 / HK65



Voertuigeigenschappen			
Totaal gewicht (kg)	Asconfiguratie	Hondengang mogelijk	Doorrijhoogte (cm)
44000	8x4	Nee	395.2

Hijsblokken		
Capaciteit (t)	Gewicht (kg)	Omschrijving
4.5	150	Hijsbal
8.8	200	1-schijf
30.5	300	3-schijf



KONINKLIJKE
SAAN

0900 - 660 60 60
www.saan.nl
info@saan.nl

Versiedatum: 23-12-2021

Servicecode:

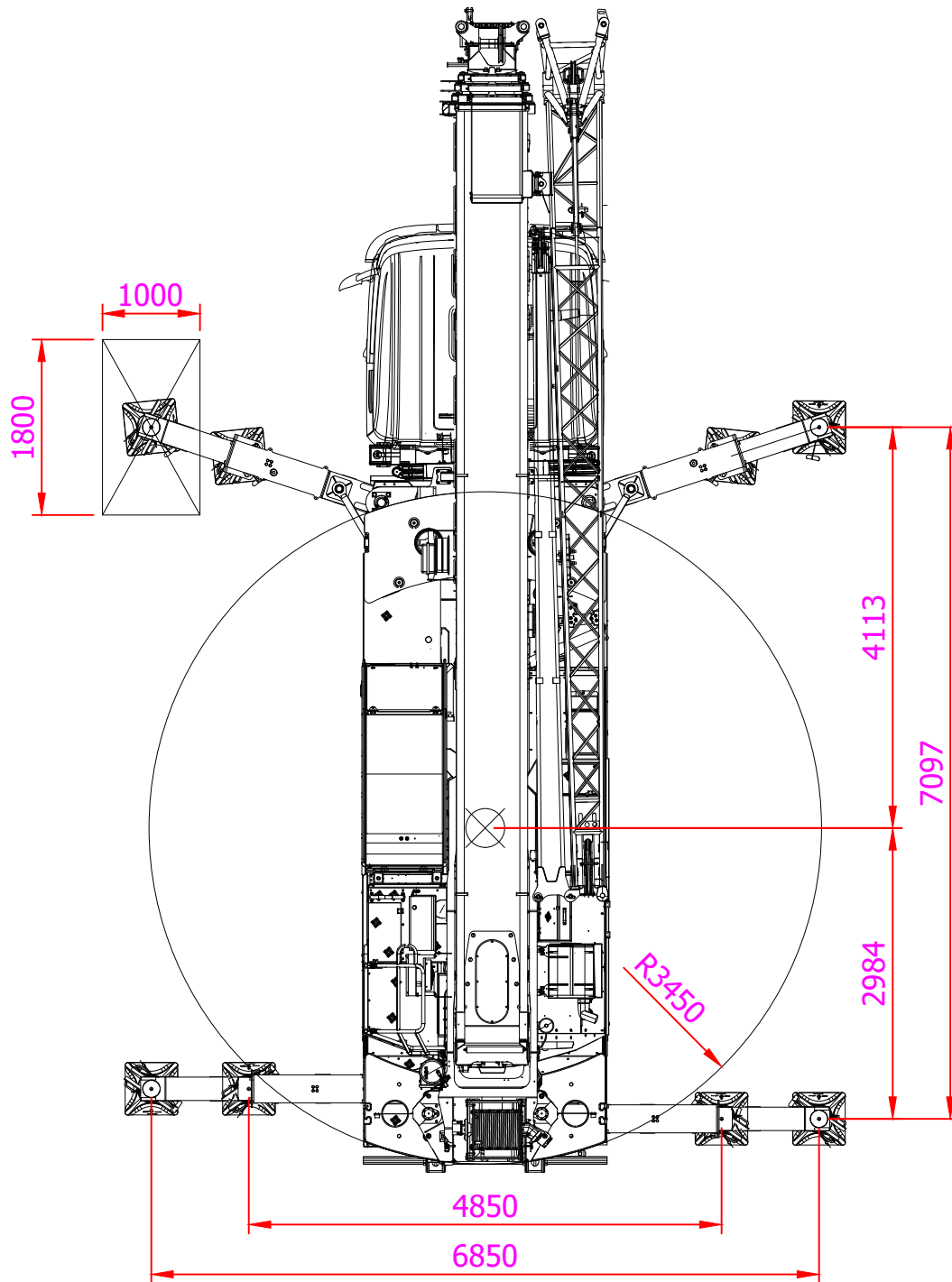
K065AK

This publication remains the property of the publisher and shall be treated as confidential, unless contractually specified otherwise. No parts of it may be reproduced, stored in a retrieval system or transmitted in any form or by any means, without the prior written permissions of the publisher. Typing errors reserved. No rights may be derived from these drawings and tables.
Copyright Koninklijke Saan B.V. 2009

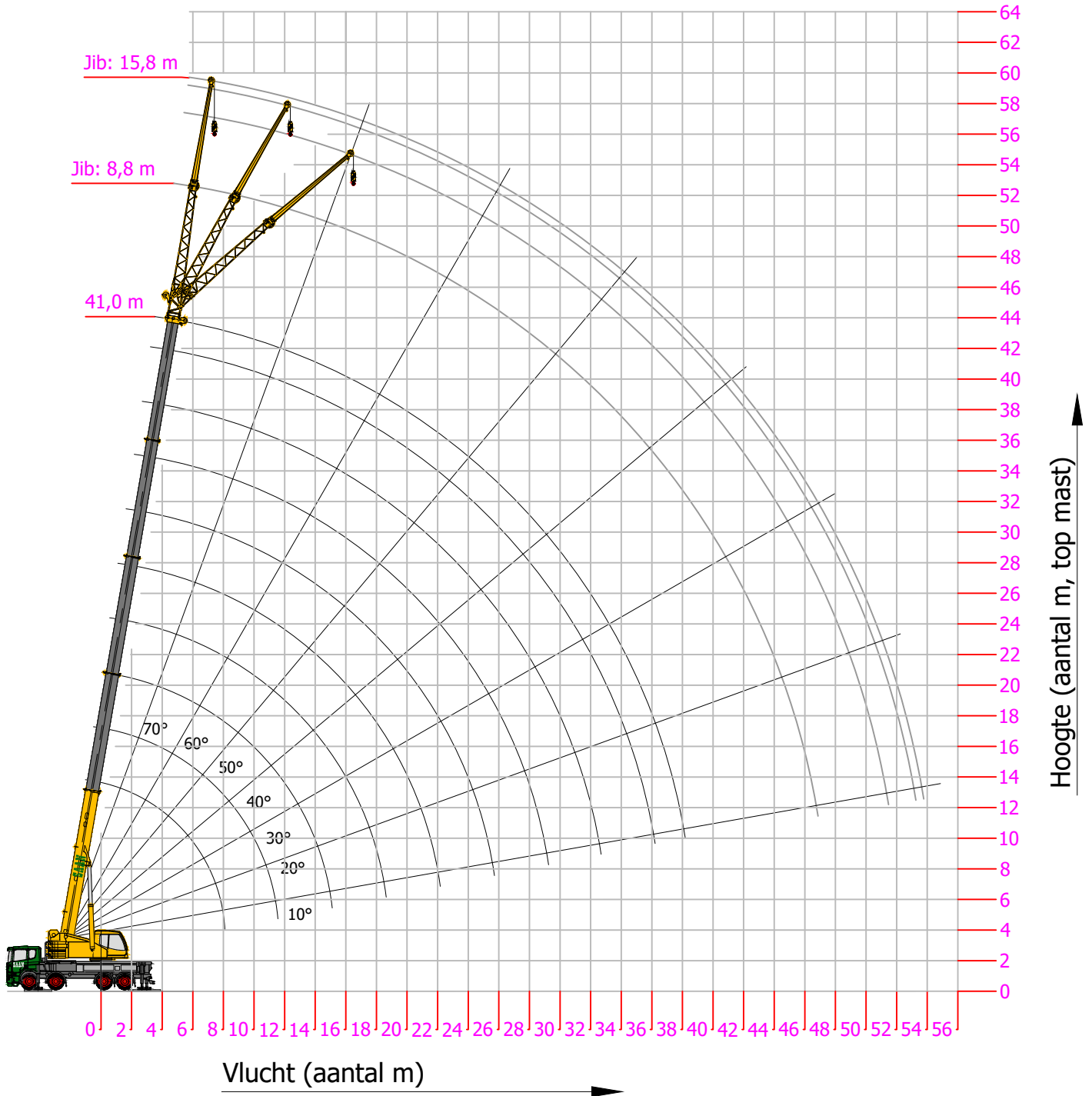
Pagina:

1 / 6

Merk:	Scania / Faun
Type:	P400 / HK65



Merk:	Scania / Faun
Type:	P400 / HK65



KONINKLIJKE
SAAN

0900 - 660 60 60
www.saan.nl
info@saan.nl

Versiedatum: 23-12-2021

Servicecode:

K065AK

This publication remains the property of the publisher and shall be treated as confidential, unless contractually specified otherwise. No parts of it may be reproduced, stored in a retrieval system or transmitted in any form or by any means, without the prior written permissions of the publisher. Typing errors reserved. No rights may be derived from these drawings and tables.

Pagina:

3 / 6

Copyright Koninklijke Saan B.V. 2009

Merk:	Scania / Faun
Type:	P400 / HK65

Viucht (M)	Hoofdmast 10.4 - 41 m Contragewicht 10.1 ton											Viucht (M)
	10.4		13.9	17.5	21.1	24.7	28.3	31.9	35.4	39	41	
2.5	65.0**											
3	58.6**	51.7**	50.0	49.5	40.9							3
3.5	53.5**	46.0	46.3	45.8	38.4	29.7						3,5
4	46.5	41.3	41.6	41.1	36.2	29.7	23.2					4
4.5	41.1	37.4	37.7	37.1	34.2	29.3	22.2					4,5
5	36.7	34.0	34.3	33.8	32.5	27.8	21.1	18.5				5
6	30.1	28.6	28.9	28.4	28.8	25.2	19.2	16.9	14.8			6
7	25.4	24.5	24.8	24.2	24.6	23.0	17.3	15.6	14.0	12.0		7
8	19.8	18.3	21.5	21.6	21.4	21.1	15.7	14.4	13.0	11.7	10.5	8
9			18.8	19.5	18.6	18.5	14.4	13.3	12.1	11.0	10.4	9
10			16.1	16.5	16.4	16.0	13.3	12.4	11.3	10.3	9.8	10
11			13.8	14.1	14.1	13.7	12.3	11.4	10.6	9.7	9.2	11
12				12.3	12.2	11.9	11.5	10.6	9.9	9.1	8.6	12
14				9.6	9.7	9.3	9.0	9.0	8.8	8.1	7.5	14
16					8.1	7.5	7.1	7.7	7.3	7.3	6.6	16
18					6.7	6.7	6.3	6.5	6.3	6.2	5.9	18
20						5.6	5.7	5.4	5.4	5.2	5.2	20
22						4.8	4.8	4.6	4.5	4.3	4.3	22
24							4.1	3.9	3.8	3.6	3.6	24
26								3.4	3.3	3.1	3.1	26
28								2.9	2.8	2.6	2.6	28
30									2.4	2.2	2.2	30
32									2.1	1.8	1.8	32
34										1.5	1.5	34
36										1.3	1.3	36
38											1.1	38

* **Alleen met extra hijsmateriaal



KONINKLIJKE
SAAN

0900 - 660 60 60
www.saan.nl
info@saan.nl

Versiedatum: 23-12-2021

Servicecode:

K065AK

This publication remains the property of the publisher and shall be treated as confidential, unless contractually specified otherwise. No parts of it may be reproduced, stored in a retrieval system or transmitted in any form or by any means, without the prior written permissions of the publisher. Typing errors reserved. No rights may be derived from these drawings and tables.
Copyright Koninklijke Saan B.V. 2009

Pagina:

4 / 6

Merk:	Scania / Faun
Type:	P400 / HK65

Vlucht		Hoofdmast 10.4 - 41 m + 8.8 m Jib															Vlucht	
		Contragewicht 10.1 ton																
		10.4 m 8.8 m			24.7 m 8.8 m			28.3 m 8.8 m			39 m 8.8 m			41 m 8.8 m				
(M)	0°	20°	40°	0°	20°	40°	0°	20°	40°	0°	20°	40°	0°	20°	40°	(M)		
3	8.8															3		
3.5	8.8															3.5		
4	8.8	6.8		8.8												4		
4.5	8.8	6.5		8.8												4.5		
5	8.6	6.3		8.8			8.8									5		
6	7.8	5.8	4.8	8.8			8.8									6		
7	7.1	5.5	4.6	8.8	6.1		8.8									7		
8	6.5	5.1	4.4	8.6	5.9		8.8	5.9		6.0			5.5			8		
9	6.0	4.8	4.2	8.2	5.7	4.5	8.3	5.7		6.0			5.5			9		
10	5.6	4.6	4.0	7.7	5.5	4.4	7.9	5.5	4.4	6.0			5.5			10		
11	5.2	4.4	3.9	7.3	5.3	4.3	7.6	5.3	4.3	6.0	5.2		5.5	5.2		11		
12	4.9	4.2	3.8	7.0	5.1	4.2	7.2	5.2	4.2	6.0	5.1		5.5	5.0		12		
14	4.3	3.9	3.6	6.4	4.7	4.0	6.6	4.9	4.0	5.6	4.8	4.0	5.4	4.8	4.0	14		
16	3.9	3.7		5.8	4.5	3.8	6.1	4.6	3.9	5.0	4.6	3.9	4.9	4.6	3.8	16		
18				5.4	4.2	3.7	5.7	4.4	3.7	4.6	4.4	3.7	4.4	4.2	3.7	18		
20				5.0	4.0	3.6	5.1	4.2	3.6	4.2	4.0	3.6	4.1	3.9	3.6	20		
22				4.6	3.9	3.5	4.3	4.0	3.5	3.9	3.7	3.5	3.7	3.6	3.5	22		
24				3.9	3.7	3.5	3.6	3.8	3.5	3.6	3.5	3.4	3.5	3.3	3.3	24		
26				3.4	3.5		3.0	3.2	3.3	3.1	3.2	3.2	3.1	3.1	3.1	26		
28				2.9	3.0		2.6	2.7	2.8	2.6	2.8	3.0	2.6	2.8	2.9	28		
30				2.5			2.2	2.3		2.2	2.4	2.6	2.2	2.4	2.6	30		
32							1.8	1.9		1.9	2.0	2.2	1.8	2.0	2.2	32		
34							1.5			1.6	1.7	1.8	1.5	1.7	1.8	34		
36										1.3	1.4	1.5	1.3	1.4	1.5	36		
38										1.1	1.2		1.0	1.2	1.3	38		
40										0.9	1.0		0.8	0.9		40		
42										0.7	0.8		0.7	0.7		42		
44										0.5				0.6		44		

Merk: Scania / Faun

Type: P400 / HK65

Viucht	Hoofdmast 10.4 - 41 m + 15.8 m Jib															Viucht
	Contragewicht 10.1 ton															
	10.4 m 15.8 m			24.7 m 15.8 m			28.3 m 15.8 m			39 m 15.8 m			41 m 15.8 m			
(M)	0°	20°	40°	0°	20°	40°	0°	20°	40°	0°	20°	40°	0°	20°	40°	(M)
3	5.4															3
3,5	5.3															3,5
4	5.1															4
4,5	4.9															4,5
5	4.8			4.9												5
6	4.4			4.7			4.6									6
7	4.1			4.5			4.5									7
8	3.9	3.2		4.4			4.3									8
9	3.6	3.0		4.2			4.2			3.4						9
10	3.4	2.8		4.1			4.1			3.4			3.1			10
11	3.2	2.7		3.9	2.9		3.9			3.4			3.1			11
12	3.0	2.6	2.3	3.7	2.8		3.8	2.8		3.4			3.1			12
14	2.7	2.3	2.1	3.4	2.6		3.5	2.6		3.3	2.6		3.1			14
16	2.5	2.1	2.0	3.2	2.5	2.1	3.3	2.5	2.1	3.2	2.5		3.1	2.5		16
18	2.2	2.0	1.9	3.0	2.3	2.0	3.1	2.4	2.0	3.0	2.4		3.0	2.3		18
20	2.1	1.9	1.8	2.8	2.2	1.9	2.9	2.2	1.9	2.9	2.3	1.9	2.9	2.2	1.9	20
22	1.9	1.8		2.6	2.1	1.9	2.7	2.1	1.9	2.8	2.2	1.9	2.8	2.2	1.9	22
24				2.4	2.0	1.8	2.5	2.1	1.8	2.7	2.1	1.8	2.6	2.1	1.8	24
26				2.3	1.9	1.8	2.4	2.0	1.8	2.5	2.0	1.8	2.5	2.0	1.8	26
28				2.2	1.9	1.7	2.3	1.9	1.7	2.4	1.9	1.7	2.4	1.9	1.7	28
30				2.1	1.8	1.7	2.2	1.8	1.7	2.3	1.9	1.7	2.3	1.9	1.7	30
32				2.0	1.7	1.7	2.1	1.8	1.7	2.1	1.8	1.6	2.1	1.8	1.6	32
34				1.9	1.7		1.8	1.7	1.6	1.8	1.8	1.6	1.8	1.8	1.6	34
36				1.8	1.7		1.5	1.7		1.5	1.7	1.6	1.5	1.7	1.6	36
38							1.3	1.4		1.3	1.5	1.6	1.2	1.5	1.6	38
40							1.1	1.2		1.1	1.3	1.4	1.0	1.2	1.4	40
42										0.9	1.0	1.1	0.8	1.0	1.1	42
44										0.7	0.8	0.9	0.7	0.8	0.9	44
46										0.6	0.7		0.5	0.7	0.7	46



KONINKLIJKE
SAAN

0900 - 660 60 60
www.saan.nl
info@saan.nl

Versiedatum: 23-12-2021

Servicecode:

K065AK

This publication remains the property of the publisher and shall be treated as confidential, unless contractually specified otherwise. No parts of it may be reproduced, stored in a retrieval system or transmitted in any form or by any means, without the prior written permissions of the publisher. Typing errors reserved. No rights may be derived from these drawings and tables.

Pagina:

6 / 6

Copyright Koninklijke Saan B.V. 2009