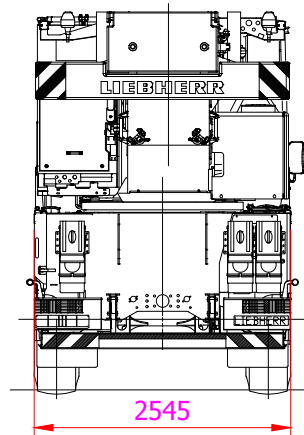
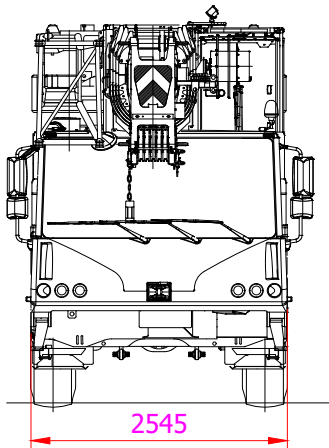
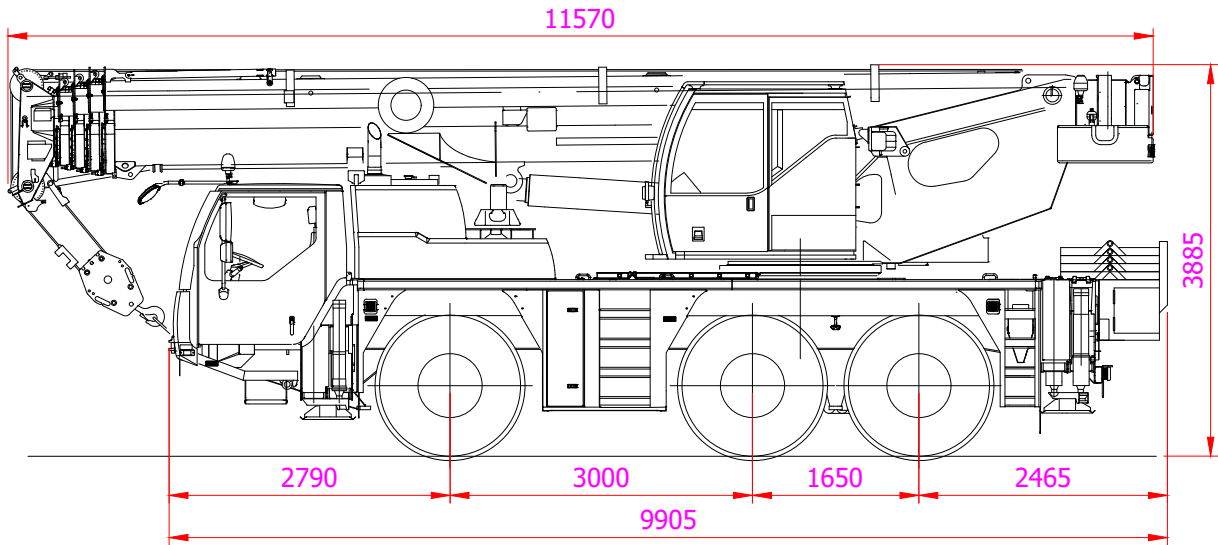


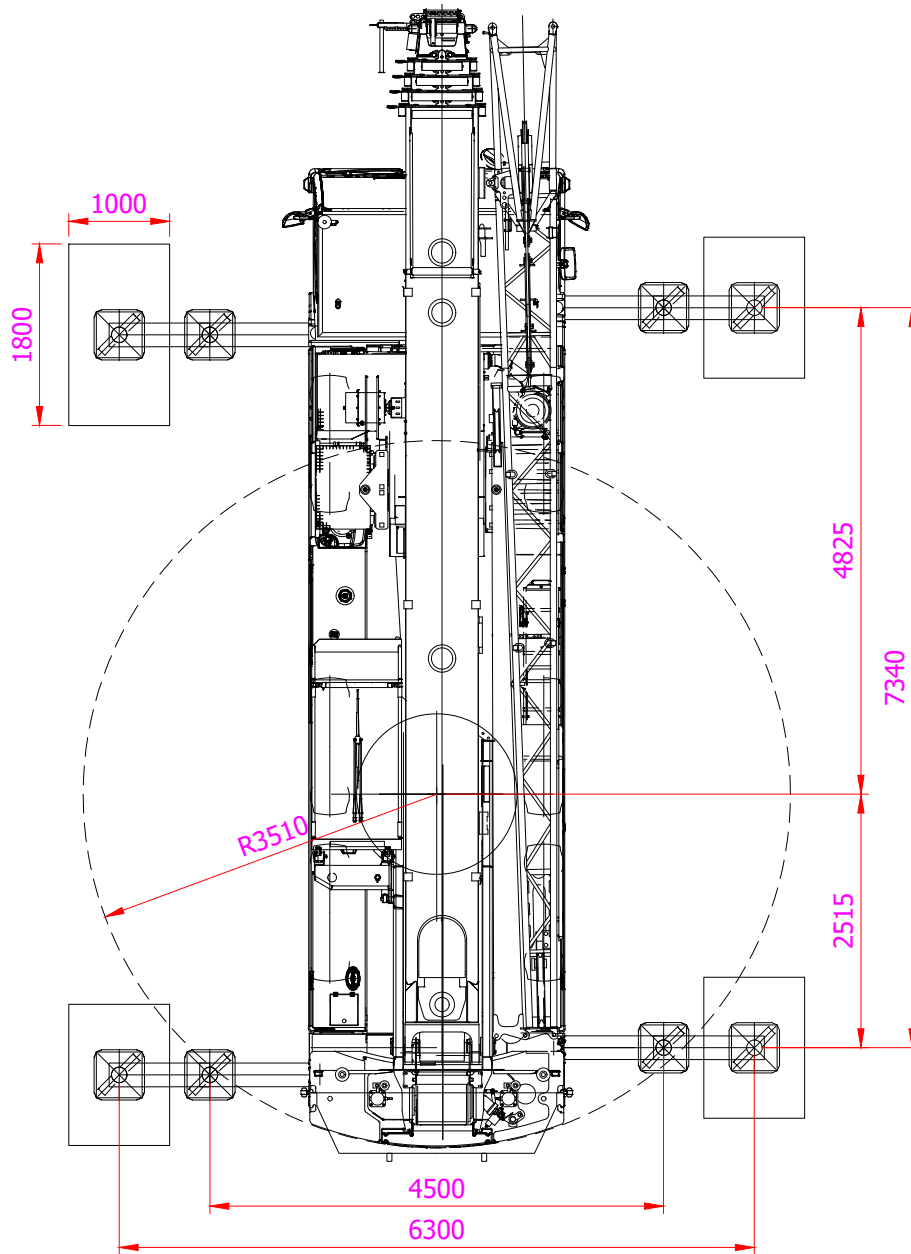
Merk:	LIEBHERR
Type:	LTM 1055-3.2



Voertuigeigenschappen			
Totaal gewicht (kg)	Asconfiguratie	Hondengang mogelijk	Doorrijhoogte (cm)
36000	6x4x6	Ja	388.5

Hijsblokken		
Capaciteit (t)	Gewicht (kg)	Omschrijving
4.5	75	Hijsbal
13.3	180	1-schijf
30.2	280	3-schijf

Merk:	LIEBHERR
Type:	LTM 1055-3.2



KONINKLIJKE
SAAN

0900 - 660 60 60
www.saan.nl
info@saan.nl

Versiedatum: 30-12-2021

Servicecode:

K055WT

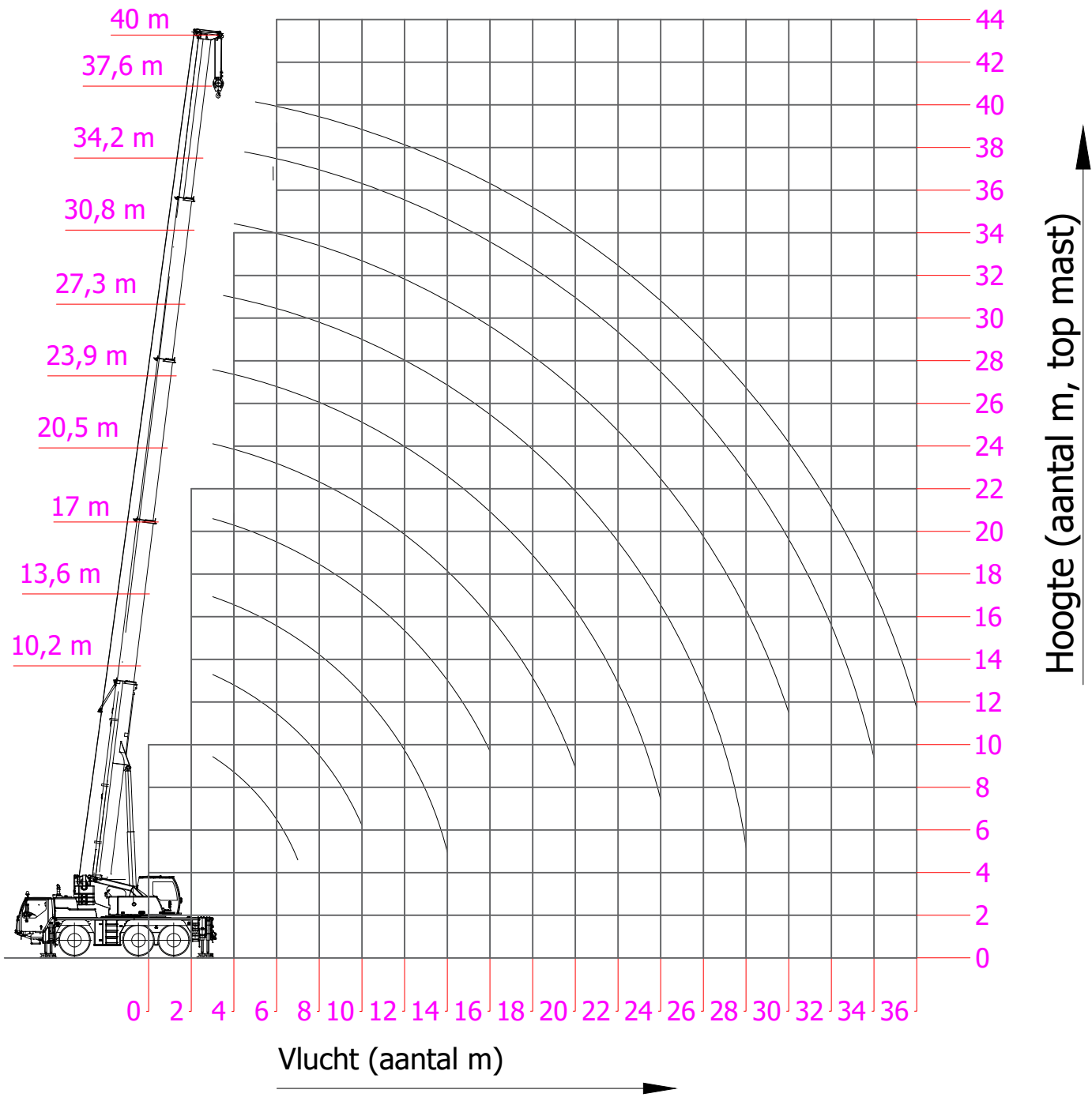
This publication remains the property of the publisher and shall be treated as confidential, unless contractually specified otherwise. No parts of it may be reproduced, stored in a retrieval system or transmitted in any form or by any means, without the prior written permissions of the publisher. Typing errors reserved. No rights may be derived from these drawings and tables.

Pagina:

2 / 8

Copyright Koninklijke Saan B.V. 2009

Merk:	LIEBHERR
Type:	LTM 1055-3.2



KONINKLIJKE
SAAN

0900 - 660 60 60
www.saan.nl
info@saan.nl

Versiedatum: 30-12-2021

Servicecode:

K055WT

This publication remains the property of the publisher and shall be treated as confidential, unless contractually specified otherwise. No parts of it may be reproduced, stored in a retrieval system or transmitted in any form or by any means, without the prior written permissions of the publisher. Typing errors reserved. No rights may be derived from these drawings and tables.

Pagina:

3 / 8

Copyright Koninklijke Saan B.V. 2009

Merk:	LIEBHERR
Type:	LTM 1055-3.2

Vlucht (M)	Hoofdmast 10.2 - 40 m Contragewicht 12 ton										Vlucht (M)
	10.2 m	13.6 m	17 m	20.5 m	23.9 m	27.3 m	30.8 m	34.2m	37.6 m	40 m	
3	42.3	42.3	42.2	38.2	30.6	22.8					3
3.5	42.3	42.2	42.1	37.8	30.9	23.2					3.5
4	40.9	40.9	39.1	37	31	23.6	18.8				4
4.5	37.5	37.5	36.1	34	30.7	23.8	19.1	14.7			4.5
5	34.5	34.5	33.5	31.4	30.2	23.6	19.1	14.9			5
6	28.9	29.1	29.2	28.7	27.3	22	18.4	15	11.8	10.1	6
7	24.2	24.5	24.6	24.9	23.4	20.2	17.1	14.4	11.7	10.1	7
8		21	20.8	21	19.7	18.4	16	13.8	11.3	9.9	8
9		17.5	17.9	17.8	17	16.1	14.9	13	10.8	9.7	9
10		14.8	15.2	15.1	14.8	14.4	13.6	12.3	10.3	9.3	10
12			11.4	11.4	11.6	11.5	10.9	10.6	9.4	8.4	12
14			9.1	9.1	9.3	9.1	9	8.7	8.5	7.7	14
16				7.7	7.6	7.4	7.5	7.5	7.3	7	16
18					6.4	6.5	6.3	6.3	6	6.1	18
20					5.4	5.5	5.4	5.3	5.1	5.1	20
22						4.7	4.6	4.5	4.3	4.2	22
24						4.1	3.9	3.9	3.6	3.6	24
26						2.8	3.4	3.3	3.1	3.1	26
28						2.4	3	2.9	2.7	2.7	28
30								2.5	2.3	2.3	30
32									2	2	32
34									1.7	1.7	34
36										1.4	36



KONINKLIJKE
SAAN

0900 - 660 60 60
www.saan.nl
info@saan.nl

Versiedatum: 30-12-2021

Servicecode:

K055WT

This publication remains the property of the publisher and shall be treated as confidential, unless contractually specified otherwise. No parts of it may be reproduced, stored in a retrieval system or transmitted in any form or by any means, without the prior written permissions of the publisher. Typing errors reserved. No rights may be derived from these drawings and tables.

Pagina:

4 / 8

Copyright Koninklijke Saan B.V. 2009

Merk:	LIEBHERR
Type:	LTM 1055-3.2

Vlucht	Hoofdmast 10.2 - 40 m										Vlucht
	Contragewicht 7 ton										
(M)	10.2 m	13.6 m	17 m	20.5 m	23.9 m	27.3 m	30.8 m	34.2m	37.6 m	40 m	(M)
3	42.3	42.3	42.2	38.2	30.6	22.8					3
3.5	42.3	42.1	42.1	37.8	30.9	23.2					3.5
4	40.3	40.3	39.1	37	31	23.6	18.8				4
4.5	36.6	36.6	36.1	37	30.7	23.8	19.1	14.7			4.5
5	32.9	33.2	32.5	31.6	29.3	23.6	19.1	14.9			5
6	26.8	27.1	26	24.9	23.1	21.6	18.4	15	11.8	10.1	6
7	21.1	21.9	21.5	20.4	19	18.2	16.9	14.4	11.7	10.1	7
8		17.4	17.7	17	16.1	15.8	14.4	13.7	11.3	9.9	8
9		14.2	14.6	14.5	14.3	13.6	12.9	12.1	10.8	9.7	9
10		12	12.3	12.3	12.6	11.8	11.2	10.7	10.3	9.3	10
12			9.2	9.5	9.5	9.4	9.1	8.7	8.2	8	12
14			7.1	7.4	7.3	7.5	7.3	7	6.6	6.5	14
16				6	5.9	6	5.9	5.8	5.4	5.3	16
18					4.9	4.9	4.8	4.7	4.4	4.3	18
20					4.1	4.1	4	3.8	3.6	3.6	20
22						3.5	3.4	3.2	3	3	22
24						3	2.8	2.7	2.5	2.5	24
26							2.4	2.3	2.1	2.1	26
28							2	1.9	1.7	1.7	28
30								1.6	1.4	1.4	30
32									1.1	1.1	32
34									0.9	0.9	34



KONINKLIJKE
SAAN

0900 - 660 60 60
www.saan.nl
info@saan.nl

Versiedatum: 30-12-2021

Servicecode:

K055WT

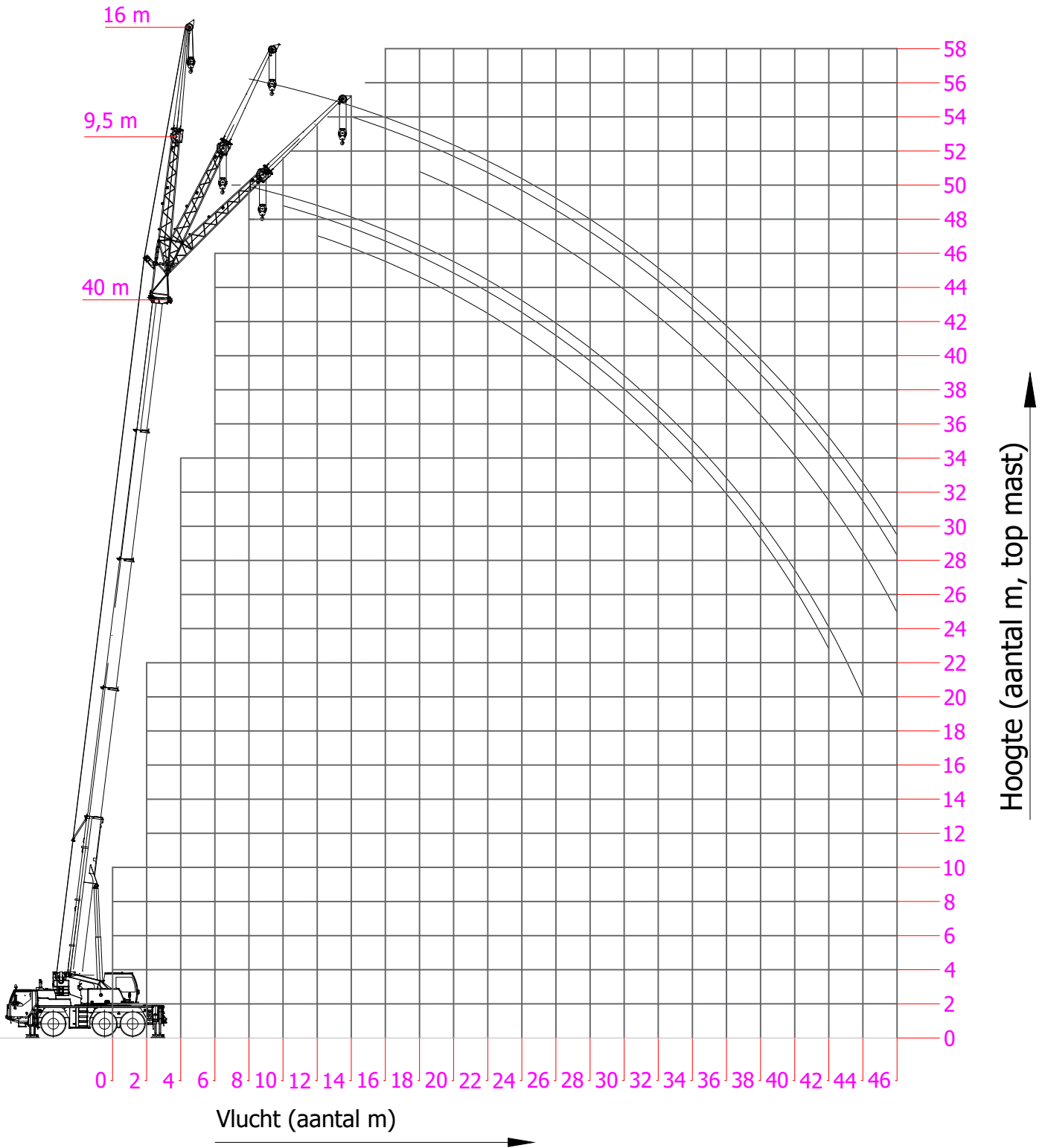
This publication remains the property of the publisher and shall be treated as confidential, unless contractually specified otherwise. No parts of it may be reproduced, stored in a retrieval system or transmitted in any form or by any means, without the prior written permissions of the publisher. Typing errors reserved. No rights may be derived from these drawings and tables.

Pagina:

5 / 8

Copyright Koninklijke Saan B.V. 2009

Merk:	LIEBHERR
Type:	LTM 1055-3.2



KONINKLIJKE
SAAN

0900 - 660 60 60
www.saan.nl
info@saan.nl

Versiedatum: **30-12-2021**

Servicecode:

K055WT

This publication remains the property of the publisher and shall be treated as confidential, unless contractually specified otherwise. No parts of it may be reproduced, stored in a retrieval system or transmitted in any form or by any means, without the prior written permissions of the publisher. Typing errors reserved. No rights may be derived from these drawings and tables.

Pagina:

6 / 8

Copyright Koninklijke Saan B.V. 2009

Merk:	LIEBHERR
Type:	LTM 1055-3.2

Vlucht (M)	Contragewicht 12 ton						Vlucht (M)
	48 + 9.5 m			48 + 16 m			
	0°	20°	40°	0°	20°	40°	
3							3
3.5							3.5
4							4
4.5							4.5
5							5
6							6
7							7
8	3.3						8
9	3,0			2.9			9
10	2.8			2.6			10
12	2.4	2.5		2.3			12
14	2,0	2.1		1.9			14
16	1.7	1.8	1.9	1.6	2.6		16
18	1.5	1.6	1.6	1.4	2.5		18
20	1.3	1.3	1.4	1.2	2.5	2.2	20
22	1.1	1.1	1.2	1,0	2.4	2.2	22
24	0.9	1,0	1,0	0.8	2.4	2.2	24
26	0.8	0.8	0.9	0.7	2.3	2.1	26
28	0.6	0.7	0.7		2.3	2.1	28
30			0.6		2.2	2.1	30
32					2.2	2,1	32
34					2,0	2,1	34
36					1,8	1,9	36
38					1,5	1,7	38
40					1,3	1,4	40
42					1,1	1,2	42
44					0,9	1,0	44
46					0,7	0,8	46



KONINKLIJKE
SAAN

0900 - 660 60 60
www.saan.nl
info@saan.nl

Versiedatum: 30-12-2021

Servicecode:

K055WT

This publication remains the property of the publisher and shall be treated as confidential, unless contractually specified otherwise. No parts of it may be reproduced, stored in a retrieval system or transmitted in any form or by any means, without the prior written permissions of the publisher. Typing errors reserved. No rights may be derived from these drawings and tables.

Pagina:

7 / 8

Copyright Koninklijke Saan B.V. 2009

Merk:	LIEBHERR
Type:	LTM 1055-3.2

