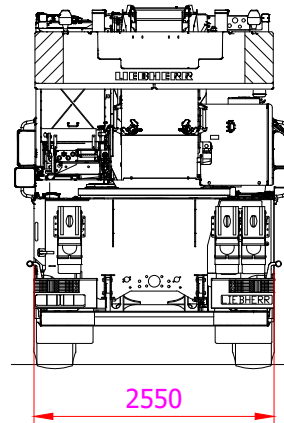
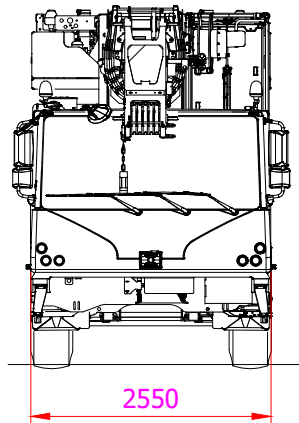
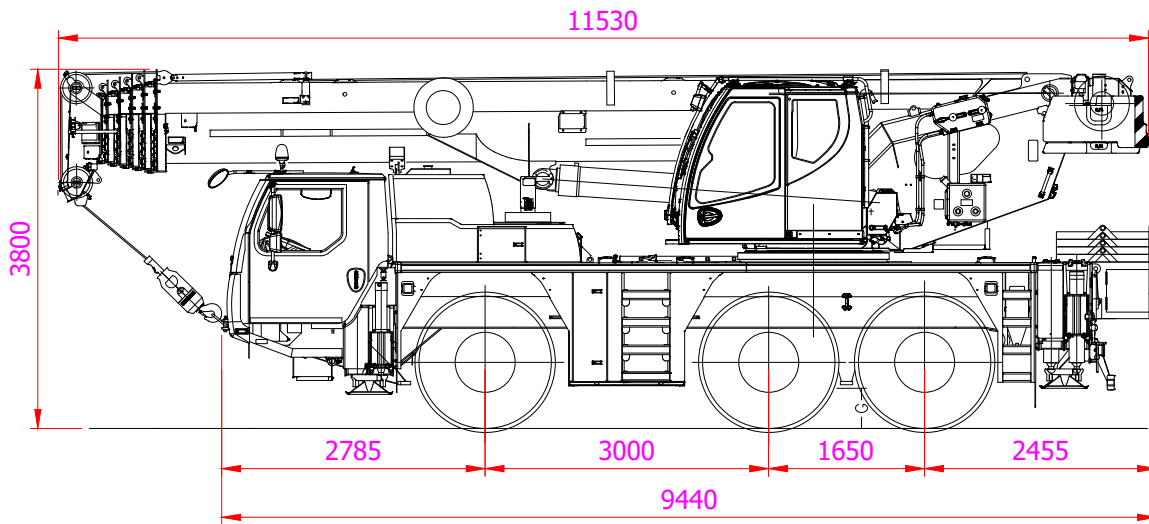


Merk:	LIEBHERR
Type:	LTM 1060-3.1



Voertuigeigenschappen			
Totaal gewicht (kg)	Asconfiguratie	Hondengang mogelijk	Doorrijhoogte (cm)
36000	6x4x6	Ja	3800

Hijsblokken		
Capaciteit (t)	Gewicht (kg)	Omschrijving
6	95	Hijsbal
16	195	1-schijf
32	280	3-schijf



KONINKLIJKE  
**SAAN**

0900 - 660 60 60  
www.saan.nl  
info@saan.nl

Versiedatum: 23-12-2021

Servicecode:

K060WT

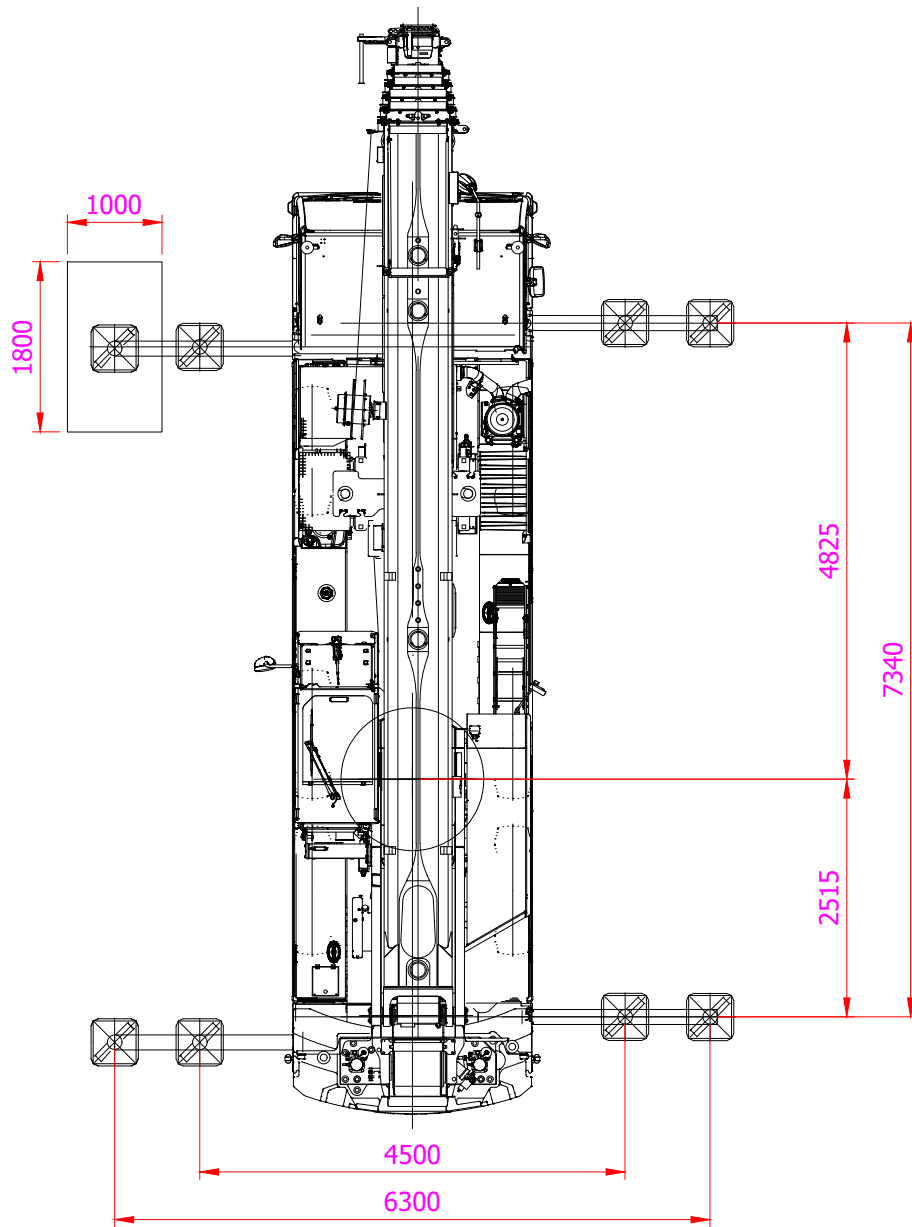
This publication remains the property of the publisher and shall be treated as confidential, unless contractually specified otherwise. No parts of it may be reproduced, stored in a retrieval system or transmitted in any form or by any means, without the prior written permissions of the publisher. Typing errors reserved. No rights may be derived from these drawings and tables.

Pagina:

1 / 8

Copyright Koninklijke Saan B.V. 2009

Merk:	LIEBHERR
Type:	LTM 1060-3.1



KONINKLIJKE  
**SAAN**

0900 - 660 60 60  
www.saan.nl  
info@saan.nl

Versiedatum: 23-12-2021

Servicecode:

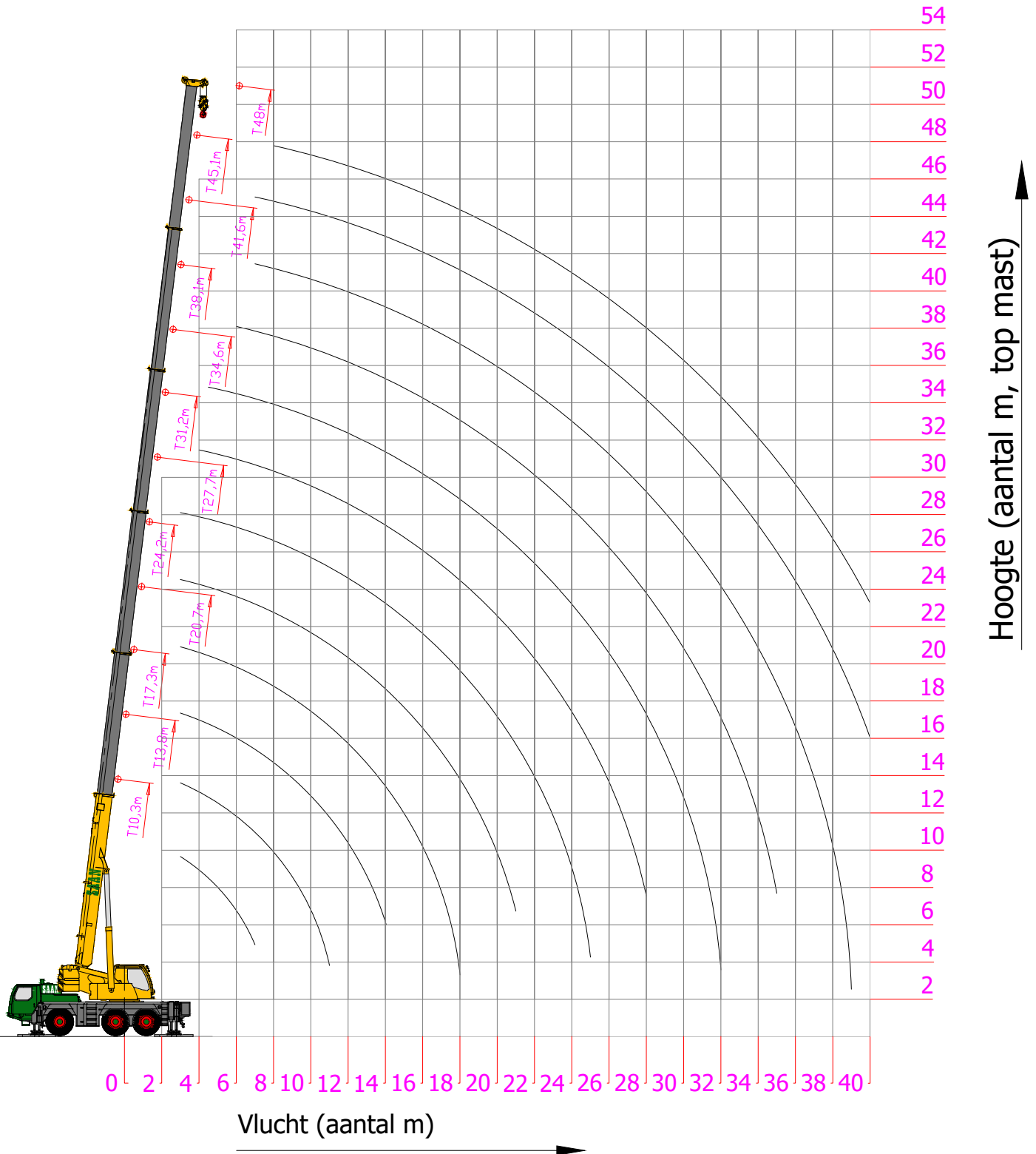
K060WT

This publication remains the property of the publisher and shall be treated as confidential, unless contractually specified otherwise. No parts of it may be reproduced, stored in a retrieval system or transmitted in any form or by any means, without the prior written permissions of the publisher. Typing errors reserved. No rights may be derived from these drawings and tables.  
Copyright Koninklijke Saan B.V. 2009

Pagina:

2 / 8

Merk:	LIEBHERR
Type:	LTM 1060-3.1



KONINKLIJKE  
**SAAN**

0900 - 660 60 60  
www.saan.nl  
info@saan.nl

Versiedatum: 23-12-2021

Servicecode:

K060WT

This publication remains the property of the publisher and shall be treated as confidential, unless contractually specified otherwise. No parts of it may be reproduced, stored in a retrieval system or transmitted in any form or by any means, without the prior written permissions of the publisher. Typing errors reserved. No rights may be derived from these drawings and tables.  
Copyright Koninklijke Saan B.V. 2009

Pagina:

3 / 8

Merk:	LIEBHERR
Type:	LTM 1060-3.1

Vlucht	Hoofdmast 10.3 - 48 m												Vlucht
	Contragewicht 12.8 ton												
(M)	10.3	13.8	17.3	20.7	24.2	27.7	31.2	34.6	38.1	41.6	45.1	48	(M)
3	42.3	41.5	40.4	34.1	29.6	22.7							3
3.5	42.3	42.2	40.7	34.4	30	23.2							3.5
4	40.5	40.2	38.1	34.8	30.2	23.6	18.6						4
4.5	37.2	36.9	34.9	33.3	29.9	24	18.9	14.6					4.5
5	34.2	34.3	32.9	31.1	29.6	24.1	19.1	14.8					5
6	28.7	29.1	29.3	28.2	26.6	23.7	19.2	15	11.7				6
7	24.1	24.6	24.8	24.8	23.9	22.9	18.7	15.1	12	9.5	7.2		7
8		20.9	21.1	21.3	20.9	19.7	17.7	14.8	12.1	9.6	7.4	6.1	8
9		17.8	18.3	18.5	18	17	15.9	14.2	11.9	9.7	7.4	6.2	9
10		15.2	15.8	15.9	15.7	14.9	14.3	13.3	11.5	9.5	7.4	6.3	10
11		13.3	13.7	13.7	13.6	13.1	12.6	12.2	11	9.2	7.3	6.3	11
12			11.9	12	11.9	11.7	11.6	11.1	10.4	8.8	7.1	6.2	12
13			10.6	10.6	10.5	10.5	10.5	10.2	9.7	8.5	6.9	6.1	13
14			9.4	9.5	9.4	9.7	9.4	9.3	8.7	8.2	6.7	5.9	14
15				8.5	8.9	8.7	8.5	8.4	8	7.8	6.5	5.8	15
16				7.7	8.1	7.9	7.7	7.6	7.6	7.2	6.3	5.7	16
17				7	7.3	7.2	7	7.1	7	6.6	6.1	5.5	17
18				6.8	6.7	6.6	6.6	6.5	6.4	6.2	5.9	5.4	18
19					6.2	6	6.2	6	5.9	5.8	5.5	5.2	19
20					5.7	5.7	5.7	5.5	5.5	5.4	5	4.9	20
21					5.3	5.4	5.2	5.2	5.1	5	4.6	4.5	21
22						5	4.9	4.9	4.7	4.6	4.2	4.2	22
23						4.7	4.5	4.5	4.4	4.2	3.9	3.9	23
24						4.3	4.2	4.2	4	3.9	3.6	3.6	24
25						4.1	3.9	3.9	3.7	3.6	3.3	3.3	25
26							3.7	3.7	3.5	3.3	3.1	3	26
27							3.5	3.4	3.2	3.1	2.8	2.8	27
28							3.3	3.2	3	2.9	2.6	2.6	28
29								3	2.8	2.7	2.4	2.4	29
30								2.8	2.6	2.5	2.3	2.2	30
31								2.6	2.4	2.3	2.1	2.1	31
32								2.5	2.3	2.1	1.9	1.9	32
33									2.1	2	1.7	1.8	33
34									2	1.8	1.6	1.6	34
35									1.8	1.7	1.5	1.5	35
36										1.6	1.3	1.3	36
37										1.4	1.2	1.2	37
38										1.3	1.1	1.1	38
39										1.2	1	1	39
40											0.9	0.9	40



KONINKLIJKE  
**SAAN**

0900 - 660 60 60  
www.saan.nl  
info@saan.nl

Versiedatum: 23-12-2021

Servicecode:

K060WT

This publication remains the property of the publisher and shall be treated as confidential, unless contractually specified otherwise. No parts of it may be reproduced, stored in a retrieval system or transmitted in any form or by any means, without the prior written permissions of the publisher. Typing errors reserved. No rights may be derived from these drawings and tables.  
Copyright Koninklijke Saan B.V. 2009

Pagina:

4 / 8

Merk:	LIEBHERR
Type:	LTM 1060-3.1

Vlucht	Hoofdmast 10.3 - 48 m												Vlucht
	Contragewicht 8 ton												
(M)	10.3	13.8	17.3	20.7	24.2	27.7	31.2	34.6	38.1	41.6	45.1	48	(M)
3	42.3	41.5	40.4	34.1	29.6	22.7							3
3.5	42.2	42.2	40.7	34.4	30	23.2							3.5
4	39.6	39.3	38.1	34.8	30.2	23.6	18.6						4
4.5	35.7	35.7	34.1	32.6	29.9	24	18.9	14.6					4.5
5	32	32.5	31.1	29.6	27.6	24.1	19.1	14.8					5
6	25.7	26.2	24.7	23.7	22.4	20.7	18.9	15	11.7				6
7	19.8	20.5	20.5	19.5	18.4	17.2	16.2	14.8	12	9.5	7.2		7
8		16.5	17	16.3	15.3	14.4	14	13.3	12	9.6	7.4	6.1	8
9		13.4	13.9	13.9	13	12.9	12.1	11.4	10.7	9.7	7.4	6.2	9
10		11.2	11.6	11.8	11.6	11.2	10.4	10.2	9.7	9.1	7.4	6.3	10
11		9.4	9.9	10	10.3	9.8	9.5	9.1	8.6	8	7.3	6.3	11
12			8.5	8.9	8.9	8.6	8.5	8.1	7.7	7.4	6.9	6.2	12
13			7.4	7.8	7.8	7.9	7.6	7.4	7	6.6	6.1	5.9	13
14			6.5	6.9	6.9	7	6.8	6.7	6.3	5.9	5.5	5.4	14
15				6.2	6.1	6.3	6.2	6	5.6	5.4	4.9	4.8	15
16				5.5	5.5	5.6	5.5	5.5	5.1	4.8	4.4	4.3	16
17				5	5	5.1	5	5	4.6	4.4	4	3.9	17
18				4.5	4.5	4.6	4.5	4.5	4.2	4	3.6	3.5	18
19					4.1	4.2	4.1	4	3.8	3.6	3.2	3.1	19
20					3.7	3.8	3.7	3.6	3.4	3.3	2.9	2.8	20
21					3.4	3.5	3.4	3.3	3.1	3	2.6	2.5	21
22						3.2	3.1	3	2.8	2.7	2.4	2.3	22
23						3	2.8	2.8	2.6	2.4	2.1	2.1	23
24						2.7	2.6	2.6	2.4	2.2	1.9	1.8	24
25						2.5	2.4	2.3	2.1	2	1.7	1.6	25
26							2.2	2.1	1.9	1.8	1.5	1.5	26
27							2	1.9	1.8	1.6	1.4	1.3	27
28							1.8	1.8	1.6	1.5	1.2	1.2	28
29								1.6	1.4	1.3	1.1	1	29
30								1.5	1.3	1.2	0.9	0.9	30
31								1.3	1.1	1	0.8		31
32								1.2	1	0.9			32
33									0.9				33
34									0.8				34
35													35
36													36
37													37



KONINKLIJKE  
**SAAN**

0900 - 660 60 60  
www.saan.nl  
info@saan.nl

Versiedatum: **23-12-2021**

Servicecode:

**K060WT**

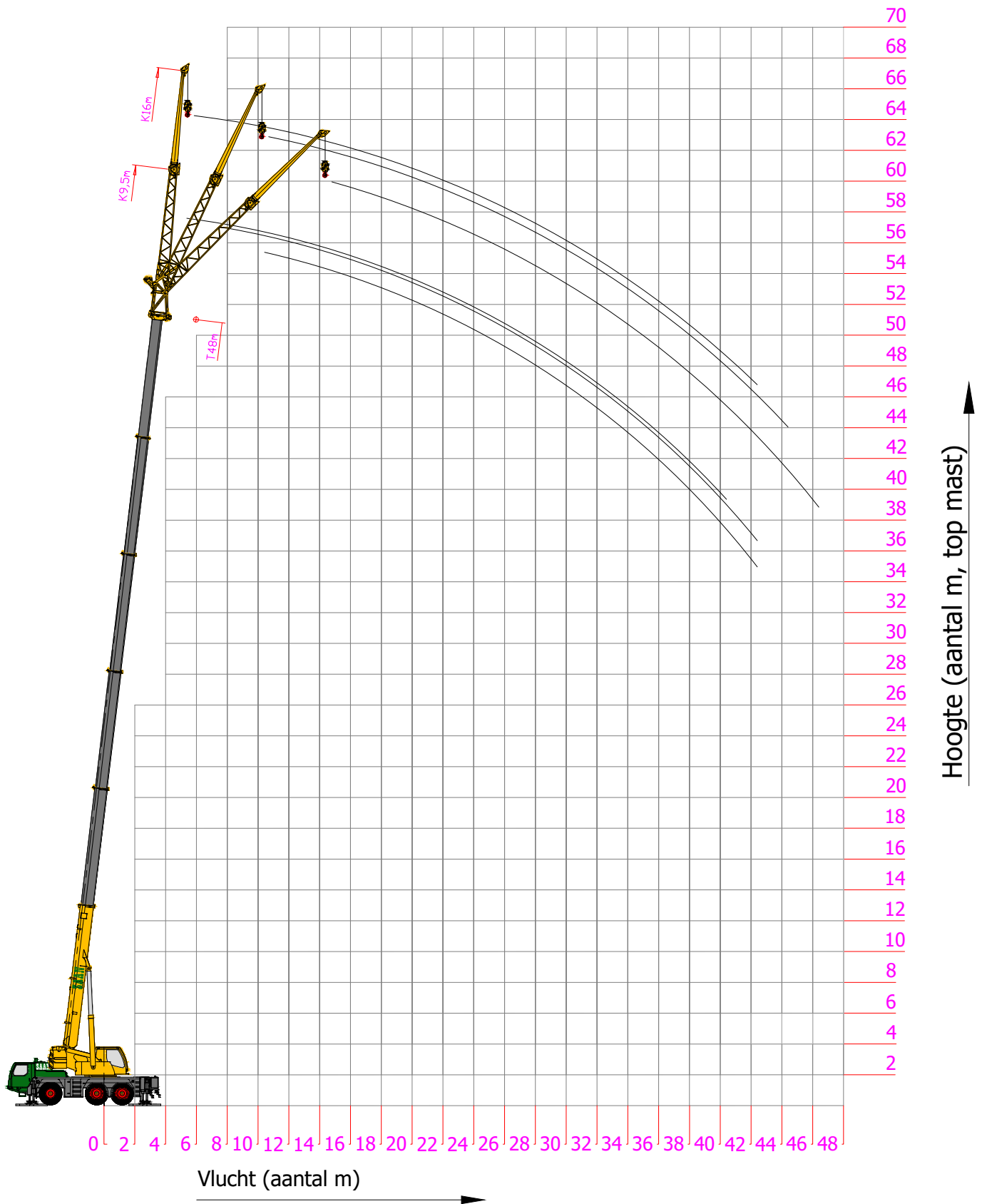
This publication remains the property of the publisher and shall be treated as confidential, unless contractually specified otherwise. No parts of it may be reproduced, stored in a retrieval system or transmitted in any form or by any means, without the prior written permissions of the publisher. Typing errors reserved. No rights may be derived from these drawings and tables.

Pagina:

**5 / 8**

Copyright Koninklijke Saan B.V. 2009

Merk: LIEBHERR  
 Type: LTM 1060-3.1



KONINKLIJKE  
**SAAN**

0900 - 660 60 60  
 www.saan.nl  
 info@saan.nl

Versiedatum: 23-12-2021

Servicecode:

K060WT

This publication remains the property of the publisher and shall be treated as confidential, unless contractually specified otherwise. No parts of it may be reproduced, stored in a retrieval system or transmitted in any form or by any means, without the prior written permissions of the publisher. Typing errors reserved. No rights may be derived from these drawings and tables.

Pagina:

6 / 8

Copyright Koninklijke Saan B.V. 2009

Merk:	LIEBHERR
Type:	LTM 1060-3.1

Vlucht	Contragewicht 12,8 ton						Vlucht
	48 + 9,5 m			48 + 16 m			
(M)	0°	20°	40°	0°	20°	40°	(M)
3							3
3,5							3,5
4							4
4,5							4,5
5							5
6							6
7							7
8							8
9							9
10				2,3			10
12	3,4			2,3			12
14	3,4	3,4		2,3			14
16	3,4	3,4	3,3	2,2			16
18	3,3	3,3	3,2	2,2	2,2		18
20	3,2	3,2	3,1	2,2	2,2		20
22	3,1	3,0	3,0	2,2	2,1	2,0	22
24	2,9	2,9	2,9	2,1	2,1	2,0	24
26	2,8	2,8	2,8	2,1	2,1	2,0	26
28	2,5	2,7	2,7	2,1	2,0	2,0	28
30	2,2	2,4	2,5	2,1	2,0	2,0	30
32	1,8	2,0	2,2	1,9	2,0	1,9	32
34	1,6	1,7	1,9	1,6	1,9	1,9	34
36	1,3	1,5	1,6	1,3	1,6	1,8	36
38	1,1	1,2	1,3	1,1	1,4	1,6	38
40	0,9	1,0	1,1	0,9	1,2	1,3	40
42		0,8	0,8	0,7	1,0	1,1	42
44					0,8	0,9	44
46						0,7	46



KONINKLIJKE  
**SAAN**

0900 - 660 60 60  
www.saan.nl  
info@saan.nl

Versiedatum: 23-12-2021

Servicecode:

K060WT

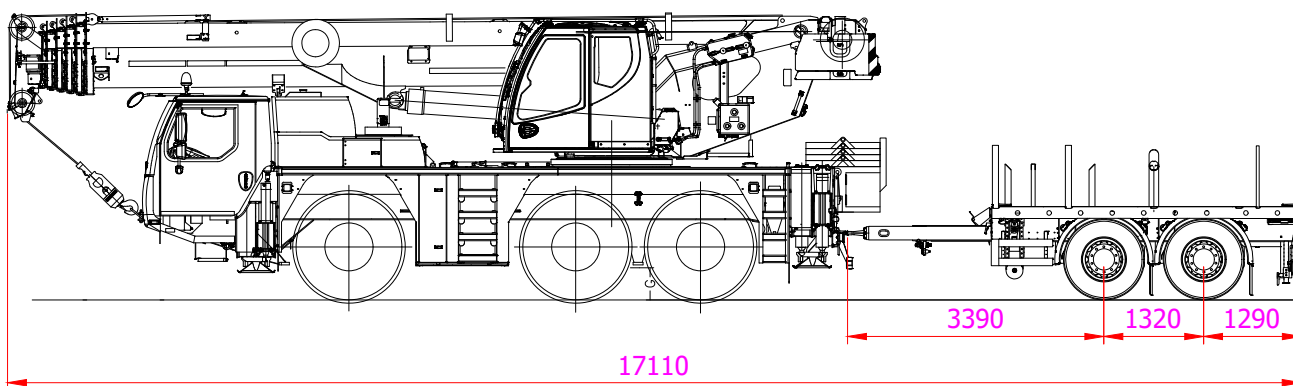
This publication remains the property of the publisher and shall be treated as confidential, unless contractually specified otherwise. No parts of it may be reproduced, stored in a retrieval system or transmitted in any form or by any means, without the prior written permissions of the publisher. Typing errors reserved. No rights may be derived from these drawings and tables.

Pagina:

7 / 8

Copyright Koninklijke Saan B.V. 2009

Merk:	LIEBHERR
Type:	LTM 1060-3.1



KONINKLIJKE  
**SAAN**

0900 - 660 60 60  
www.saan.nl  
info@saan.nl

Versiedatum: 23-12-2021

Servicecode:

K060WT

This publication remains the property of the publisher and shall be treated as confidential, unless contractually specified otherwise. No parts of it may be reproduced, stored in a retrieval system or transmitted in any form or by any means, without the prior written permissions of the publisher. Typing errors reserved. No rights may be derived from these drawings and tables.

Pagina:

8 / 8

Copyright Koninklijke Saan B.V. 2009