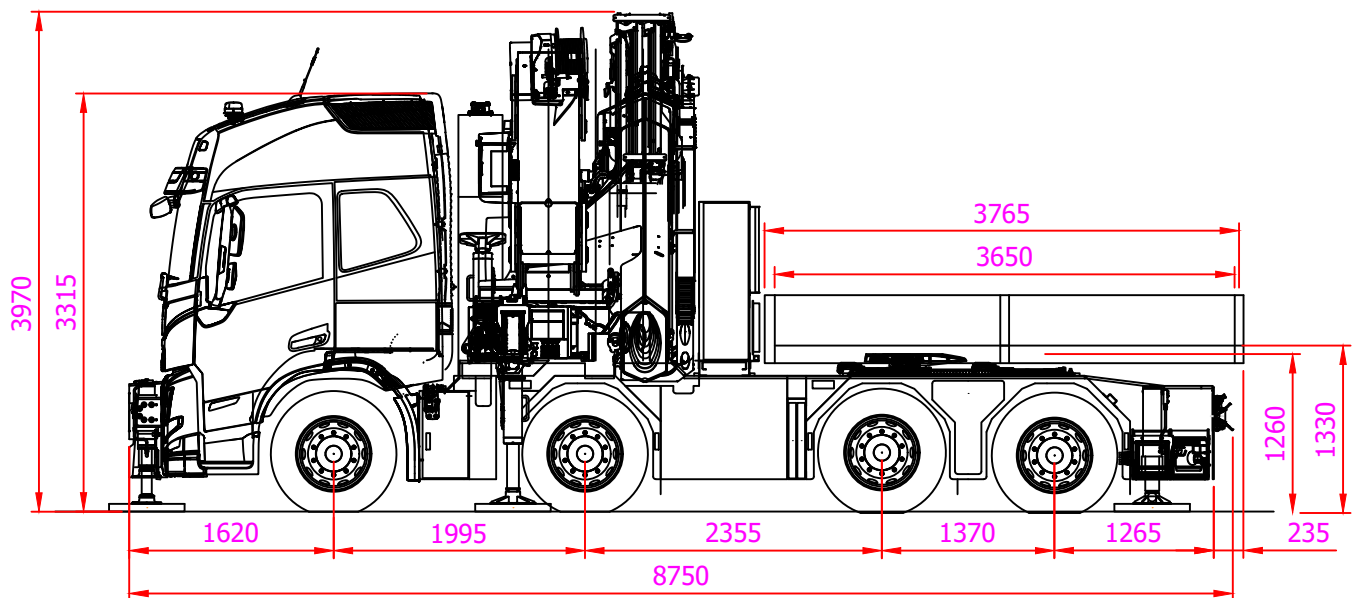


Merk: VOLVO/PALFINGER

Type: FM/PK 92002-SH



Voertuiginformatie		
Leeggewicht voertuig	27160	kg
Max. massa voertuig	39000	kg
Laadbak	1580	kg
Aggregaat	1800	kg
Totale lengte	8750	mm
Breedte	2550	mm
Doorrijhoogte	3970	mm
Elektrisch draaien		
Spanning	400	V
Stroomsterkte	32	A

Doorrijhoogte: -9.5 cm/+13 cm



0900 - 660 60 60
www.saan.nl
info@saan.nl

Versiedatum: 1-4-2022

Servicecode:

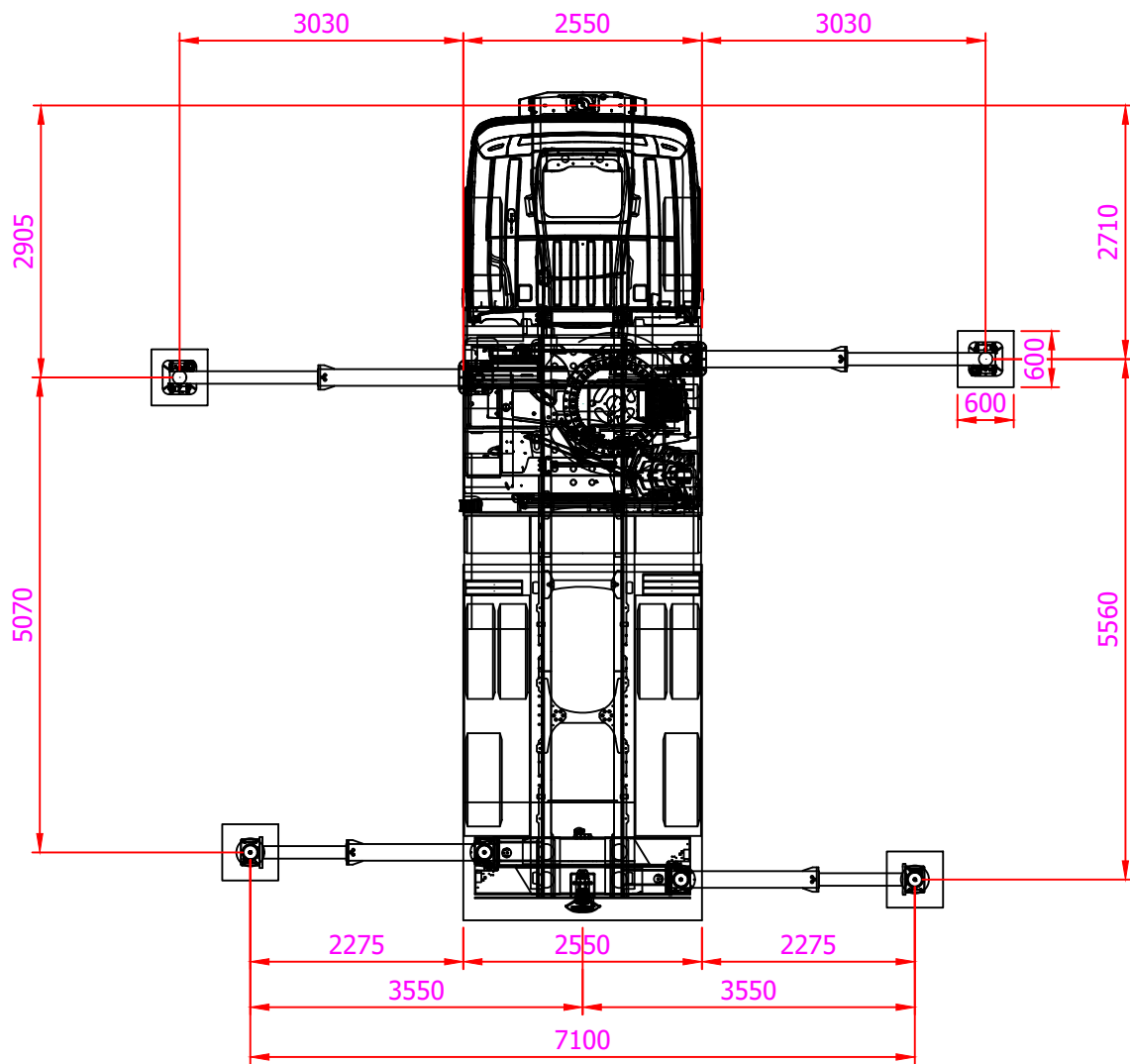
IK92JL

This publication remains the property of the publisher and shall be treated as confidential, unless contractually specified otherwise. No parts of it may be reproduced, stored in a retrieval system or transmitted in any form or by any means, without the prior written permissions of the publisher. Typing errors reserved. No rights may be derived from these drawings and tables.
Copyright Koninklijke Saan B.V. 2009

Pagina:

1 / 4

Merk:	VOLVO/PALFINGER
Type:	FM/PK 92002-SH



KONINKLIJKE
SAAN

0900 - 660 60 60
www.saan.nl
info@saan.nl

Versiedatum: 1-4-2022

Servicecode:

IK92JL

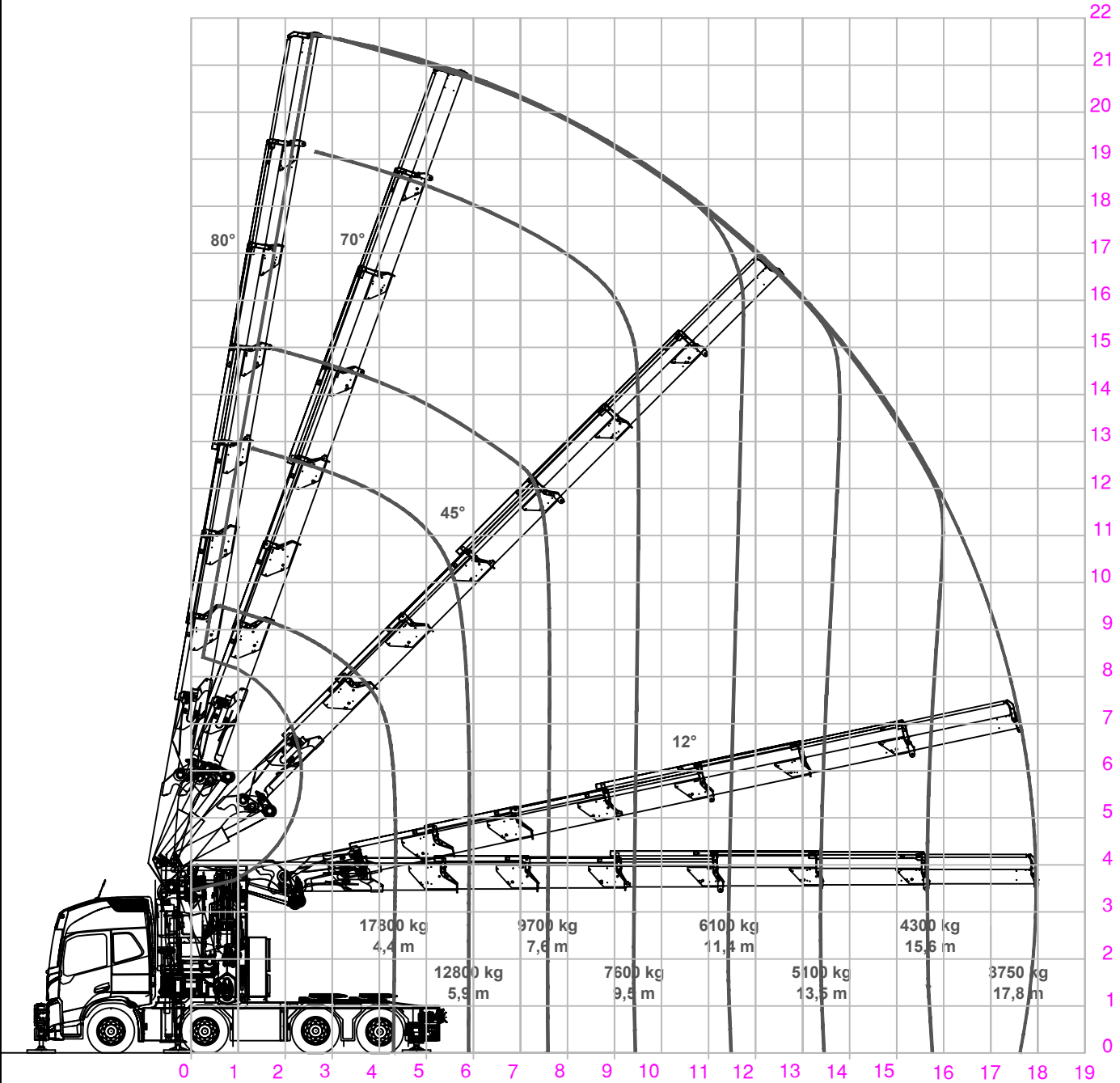
This publication remains the property of the publisher and shall be treated as confidential, unless contractually specified otherwise. No parts of it may be reproduced, stored in a retrieval system or transmitted in any form or by any means, without the prior written permissions of the publisher. Typing errors reserved. No rights may be derived from these drawings and tables.

Pagina:

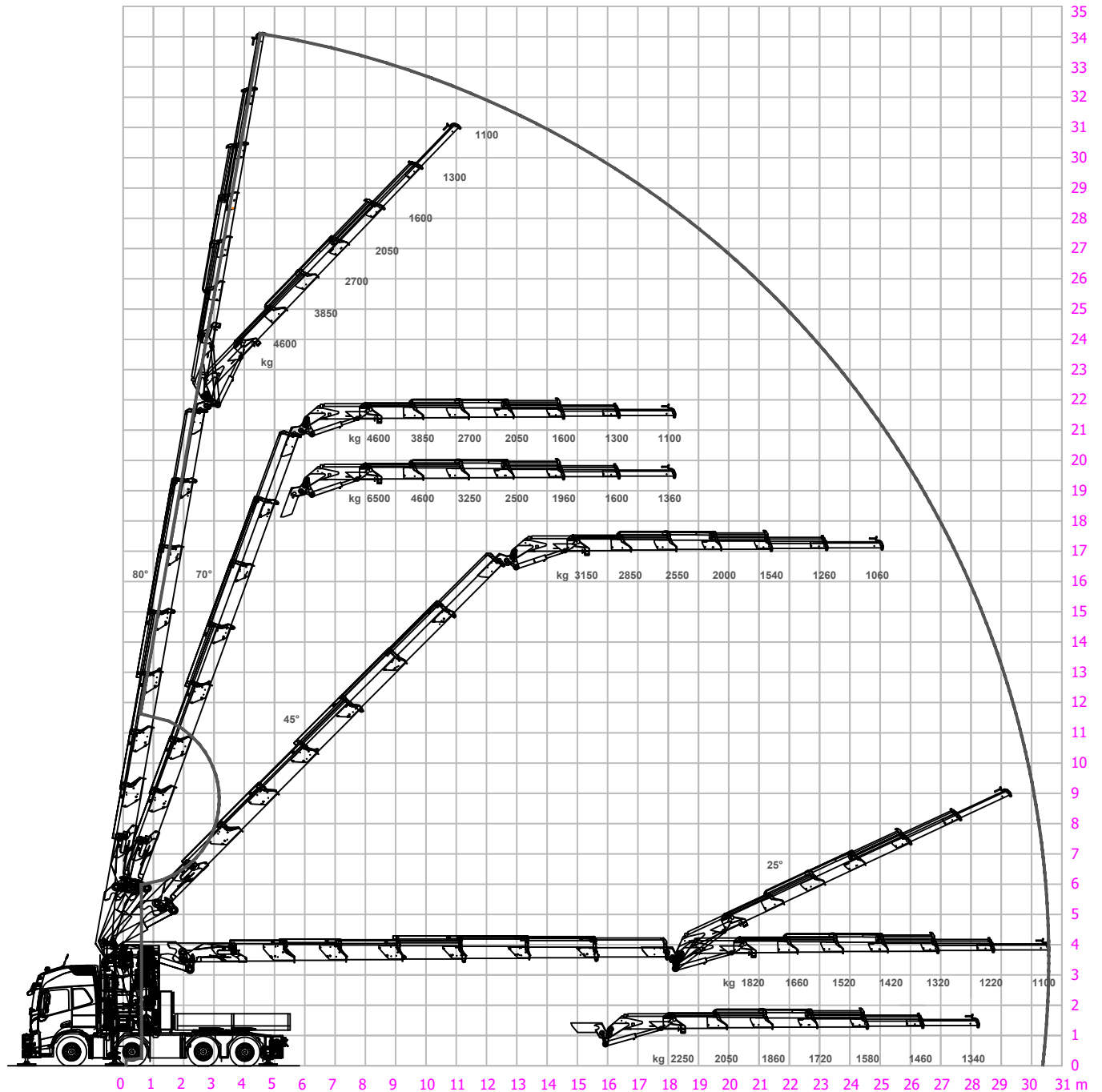
2 / 4

Copyright Koninklijke Saan B.V. 2009

Merk:	VOLVO/PALFINGER
Type:	FM/PK 92002-SH



Merk: VOLVO/PALFINGER
 Type: FM/PK 92002-SH



KONINKLIJKE
SAAN

0900 - 660 60 60
 www.saan.nl
 info@saan.nl

Versiedatum: 1-4-2022

Servicecode: IK92JL

This publication remains the property of the publisher and shall be treated as confidential, unless contractually specified otherwise. No parts of it may be reproduced, stored in a retrieval system or transmitted in any form or by any means, without the prior written permissions of the publisher. Typing errors reserved. No rights may be derived from these drawings and tables.
 Copyright Koninklijke Saan B.V. 2009

Pagina:
 4 / 4